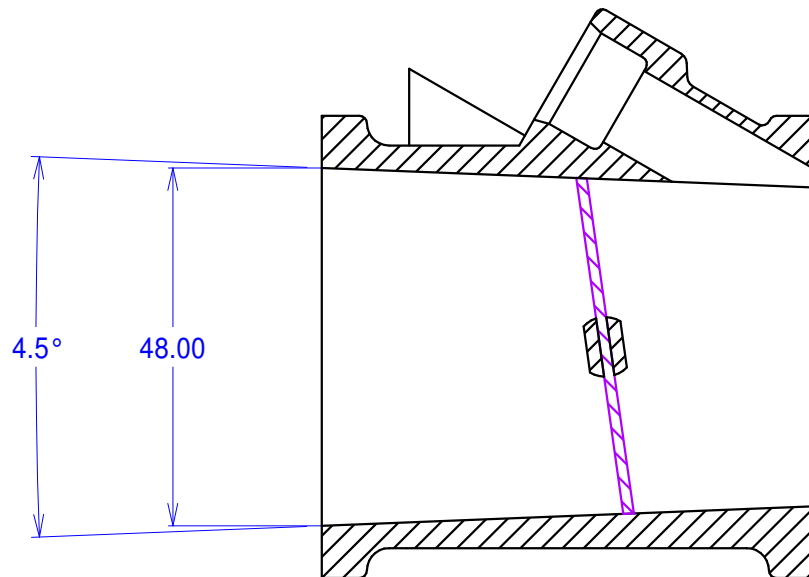
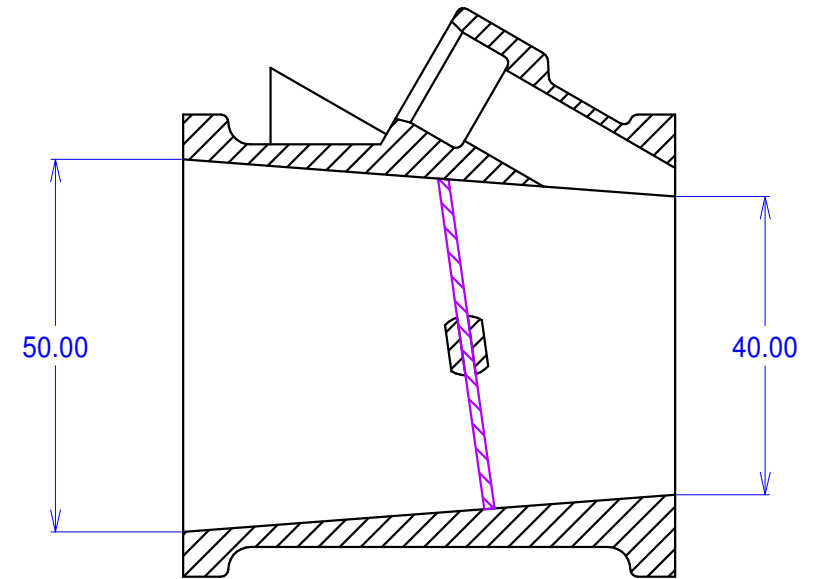


Part numbering for tapered throttle bodies and spacers

Normal part numbering is type reference followed by;
Inlet diameter / Included angle in 0.1° / Number of injector positions.
Above illustration is SF48/45/1.



Alternative part numbering for specials is type reference followed by;
Inlet diameter - Outlet diameter / Number of injector positions.
Above illustration is SF50-40/1