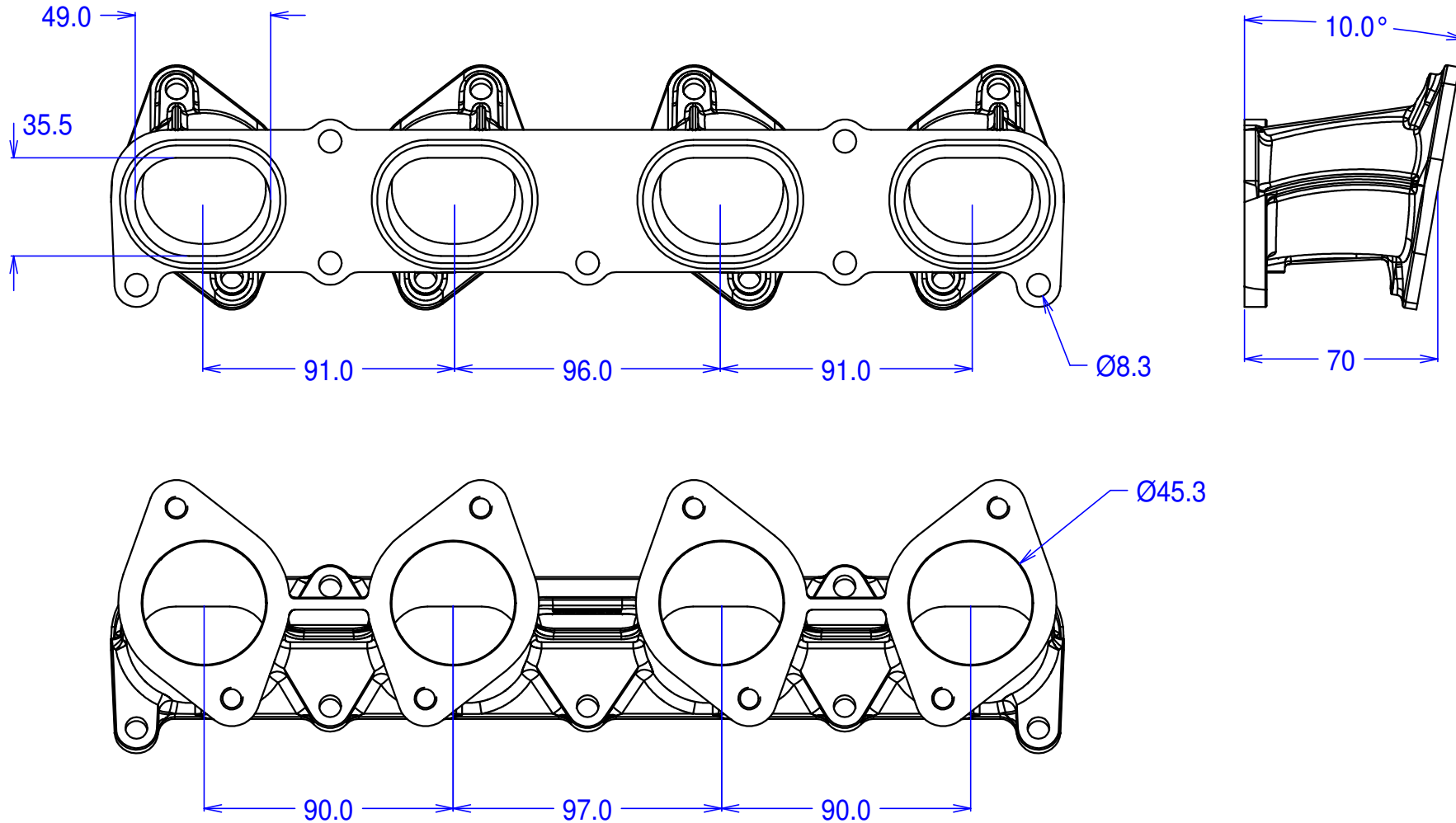




MMZ04 - Mazda MX5 2.0L manifold for twin throttle bodies

© Jenvey Dynamics Ltd 2000-2012
Issue 1
www.jenvey.co.uk



May be ported up to 50mm at body flange and proportionally at head flange.
O ring seal to cylinder head.
Undrilled bosses on underside for vacuum tappings etc.
Angled to suit MX5 installation.