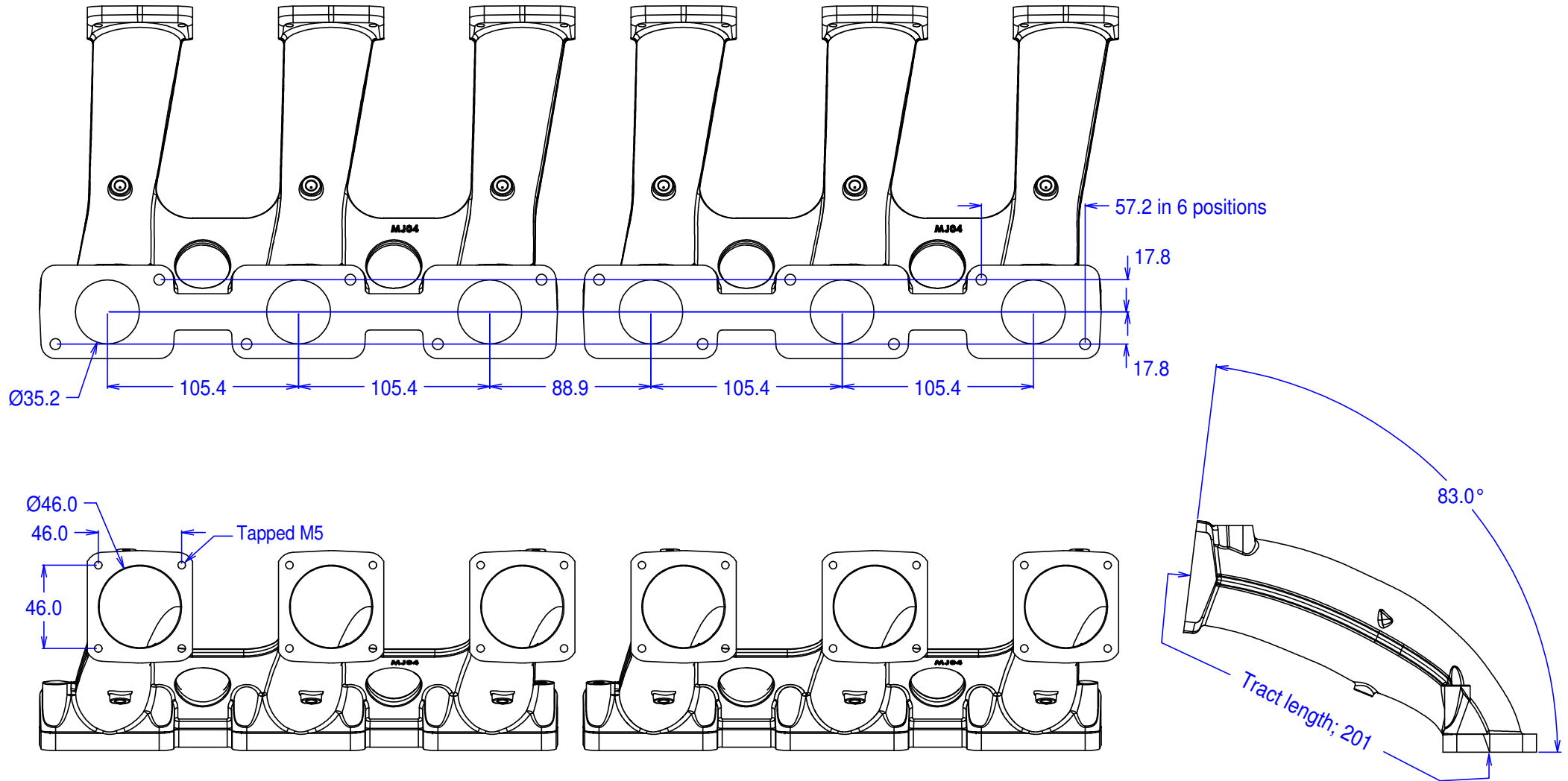


MJ04 Jaguar V12-cyl manifold for single throttle bodies



Flanges for Jenvey single (SF, SFS) throttle bodies. May be ported up to 48mm with sufficient material to allow matching to ported cylinder heads. Undrilled bosses on underside for idle air / vacuum take off / etc.