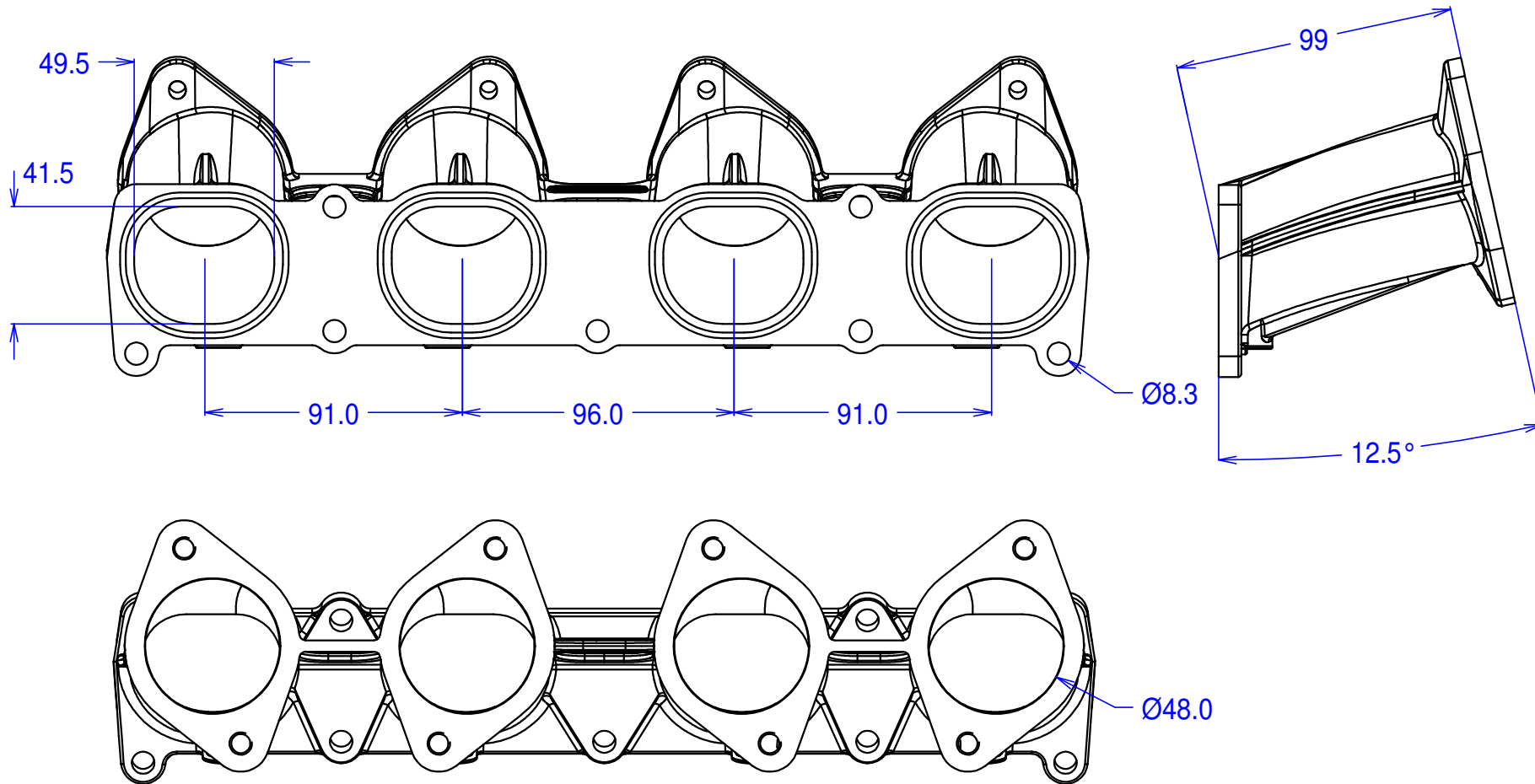




MF16 - Ford 2.5L Duratec manifold for twin throttle bodies

© Jenvey Dynamics Ltd 2009-2014
Issue 2
www.jenvey.co.uk



Flanges for Jenvey TB throttle bodies. May be ported up to 52mm.
O ring seal to cylinder head
Additional material to allow matching to ported cylinder heads
Undrilled bosses on underside for idle air / vacuum take off / etc