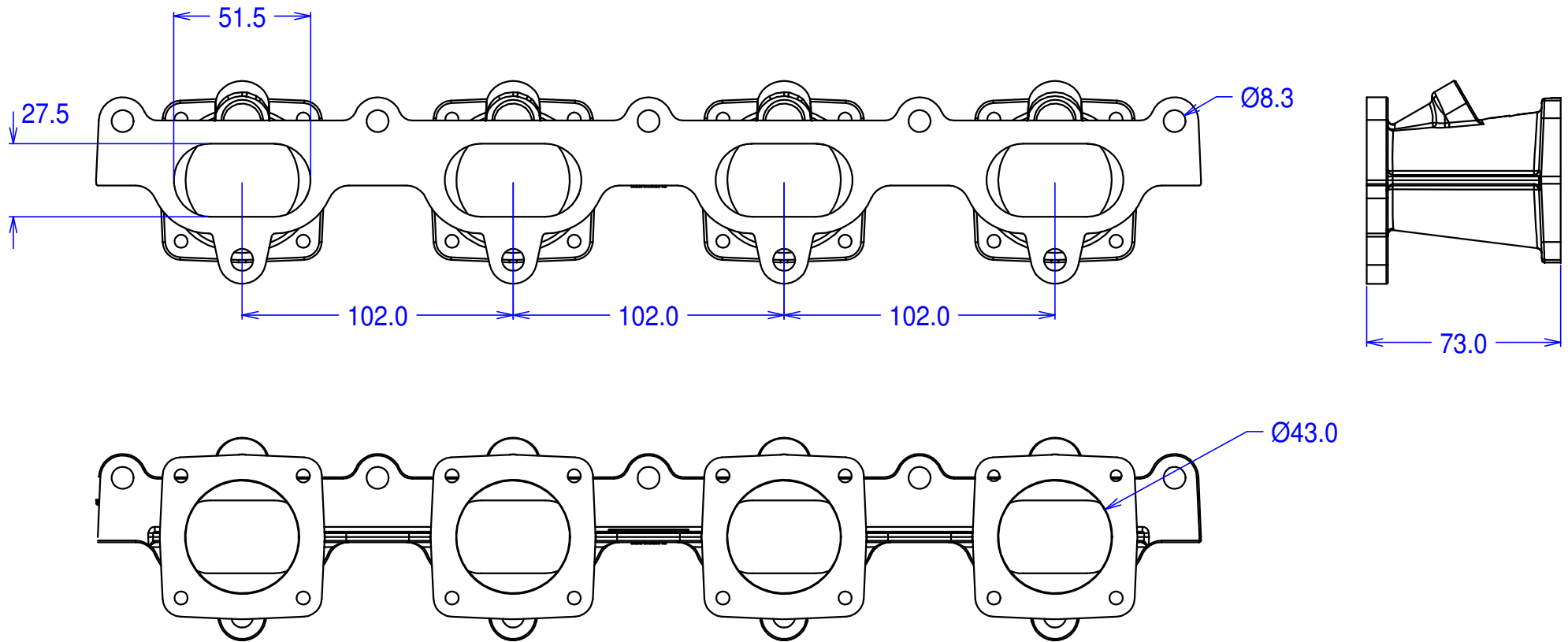




## MF01N - Cosworth YB manifold for individual throttle bodies

© Jenvey Dynamics Ltd 2000-2010  
Issue 2  
[www.jenvey.co.uk](http://www.jenvey.co.uk)



Flanges for Jenvey SF throttle bodies. May be ported up to 50mm at body flange and proportionally at head flange  
Undrilled bosses on top side for idle air / vacuum take off / injectors / etc.  
Option of machined injector pockets.