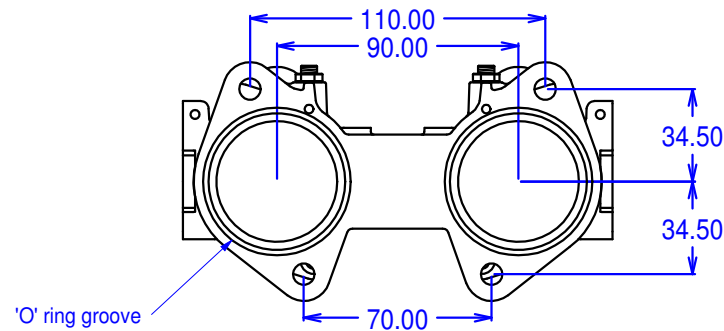
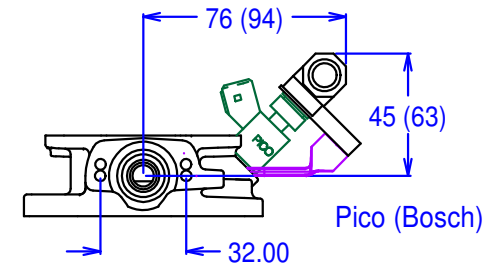
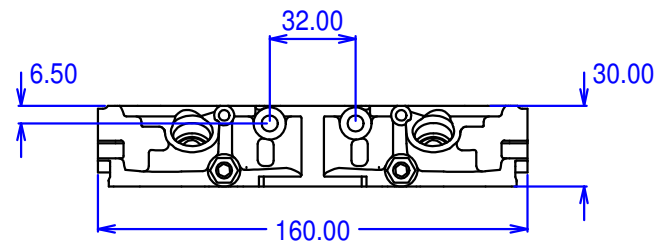


Lever shown this view only



'O' ring groove

The type TS body is designed to fit the same flanges as Twin horizontal carburettors from Weber, Dellorto, Solex etc. It is an extremely compact body allowing very long air horns to be used within a given system length.

The body comes with idle bypass adjustment, interconnecting link, fuel rail mountings (to take any of our twin body rails) and 'O' rings on the outlet.

Operating data; Spindle rotation: 82 degrees. Torque per spindle at WOT: 300 - 340 N-mm which gives a tangential pull of 8 - 9 N on long arm of standard lever.