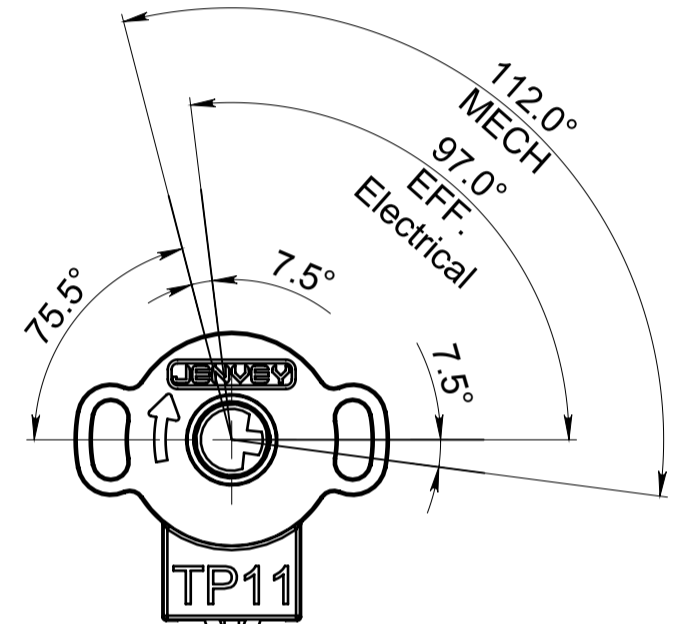


Mechanical Start Position



Mechanical End Position

Connector Pinout	
Pin 1	- Signal Out
Pin 2	- +5 to 24V DC
Pin 3	- GND/0V

Specs	
Construction	Conductive plastic track with multi fingered wipers, ensuring excellent contact under vibration
Standard resistance range	5kΩ +/- 20%
Hysteresis	<0.3%
Angle of electrical rotation	97° +/-3°
Total mechanical rotation	112° MAX
Supply Voltage	5-24V DC
Independent linearity	+/-1%
Temperature Range	-25°C to +125°C (Peak of 150°C for 15mins)
Rotational life	5 x 10 ⁶ cycles
Environmental sealing	IP66
Cable type	1-core silicone wire, 20 AWG 256/0.05 copper conductor, O/D: 2.7mm, 3A 1.5kV

Material
See B.O.M.
Treatment
None

Revision		Mod. No.		Initial issue		29/03/16		ZTS	
Description		Name		Date		Scale		Document type	
General tolerance		+/- 0.2mm		+/- 0.5°		ZTS 29/03/16		1:1	
Checked		Eng. Appr.		Mfg. Appr.		Q.A.		1 of 1	
Do not scale drawing		Drawing number		92965		Rev.		A	

Title, Supplementary title
VPS01-92 (6840-0001)

92965 A