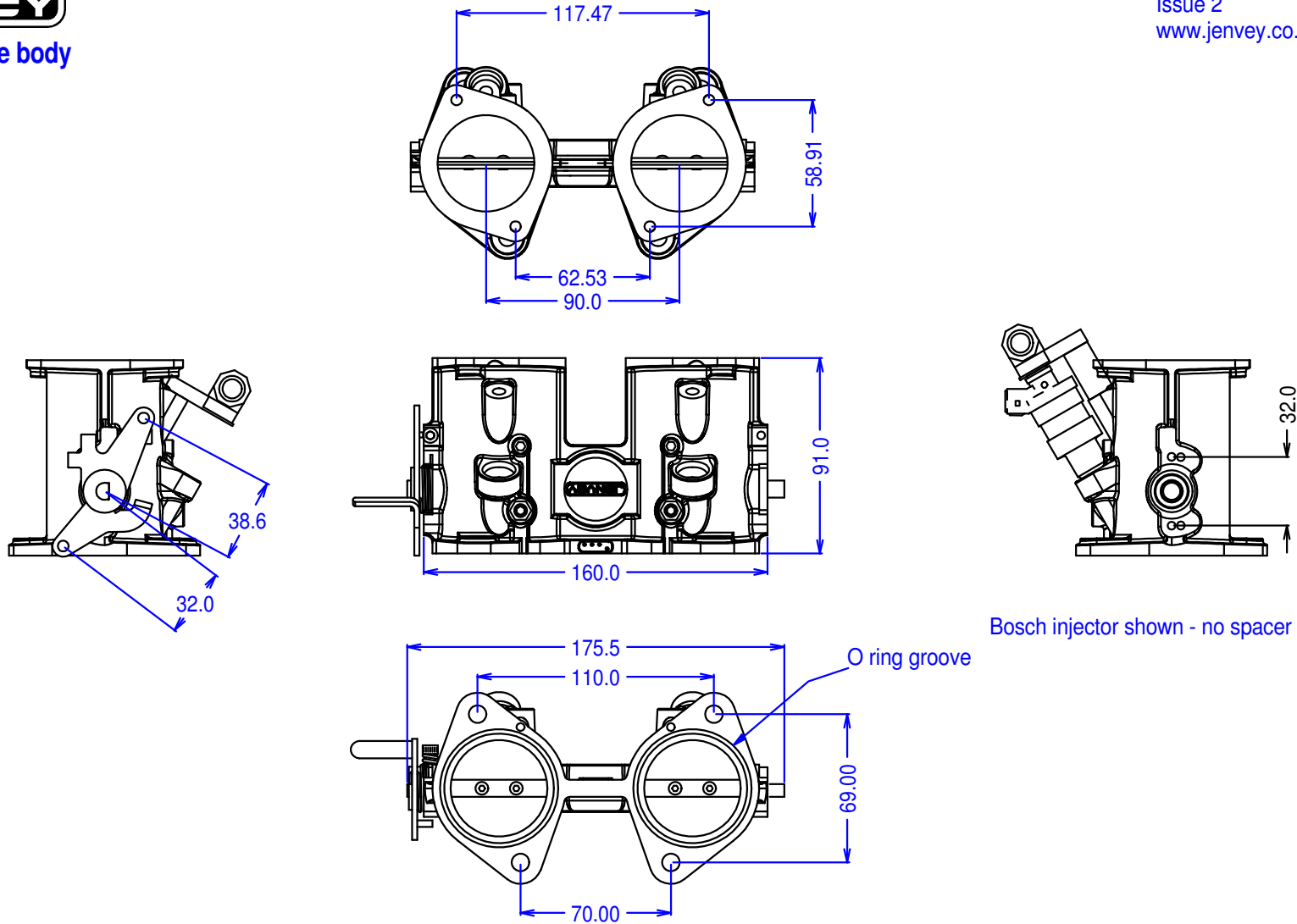




## TH twin throttle body

© Jenvey Dynamics Ltd 2000-2010  
Issue 2  
[www.jenvey.co.uk](http://www.jenvey.co.uk)



The TH body is designed as a short replacement for twin horizontal carburettors from Weber, Dellorto, Solex etc. with a natural finish. The fuel rail (supplied separately) fits within the length of the body with pico injectors only, allowing use of a flat airfilter backplate. The body comes with 'o'rings on the outlet, idle bypass adjustment, interconnecting link and bungs for the inlet end.

Operating data; Spindle rotation: 82 degrees. Torque per spindle at WOT: 300 - 340 N-mm which gives a tangential pull of 8 - 9 N on long arm of standard lever.