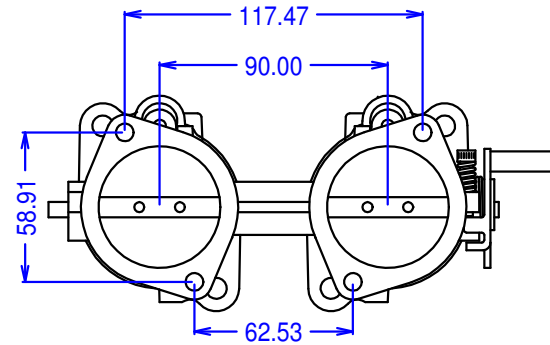


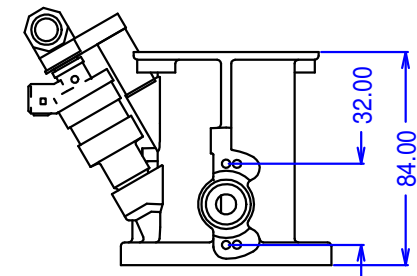
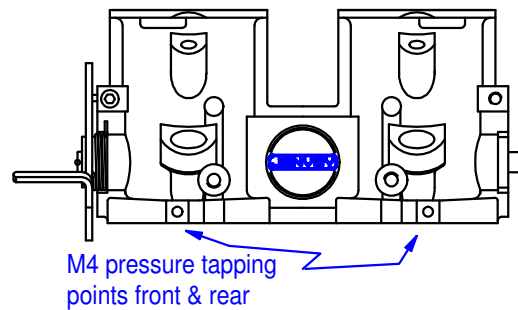
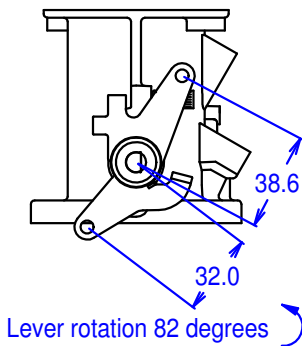


TF twin throttle body

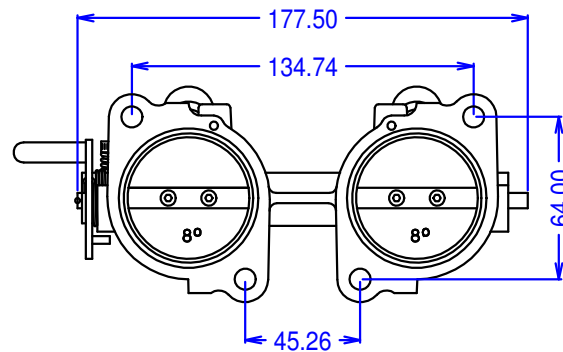
© Jenvey Dynamics 2000-2010
Issue 2
www.jenvey.co.uk



Front flange as Weber DCOE type



Bosch injector shown - no spacer for Pico



The type TF body is designed to fit the same flanges as twin downdraft carburetors from Weber (IDF) and Dellorto. It is a compact body, well suited for use on 'V' engines with their tendency to long inlet tracts and shortage of space. The body comes with 'O'rings on the outlet, idle bypass adjustment, interconnecting link, 'starter holes' for vacuum sensors and bungs for the inlet end.

Operating data; Spindle rotation: 82 degrees. Torque per spindle at WOT: 300 - 340 N-mm which gives a tangential pull of 8 - 9 N on long arm of standard lever.