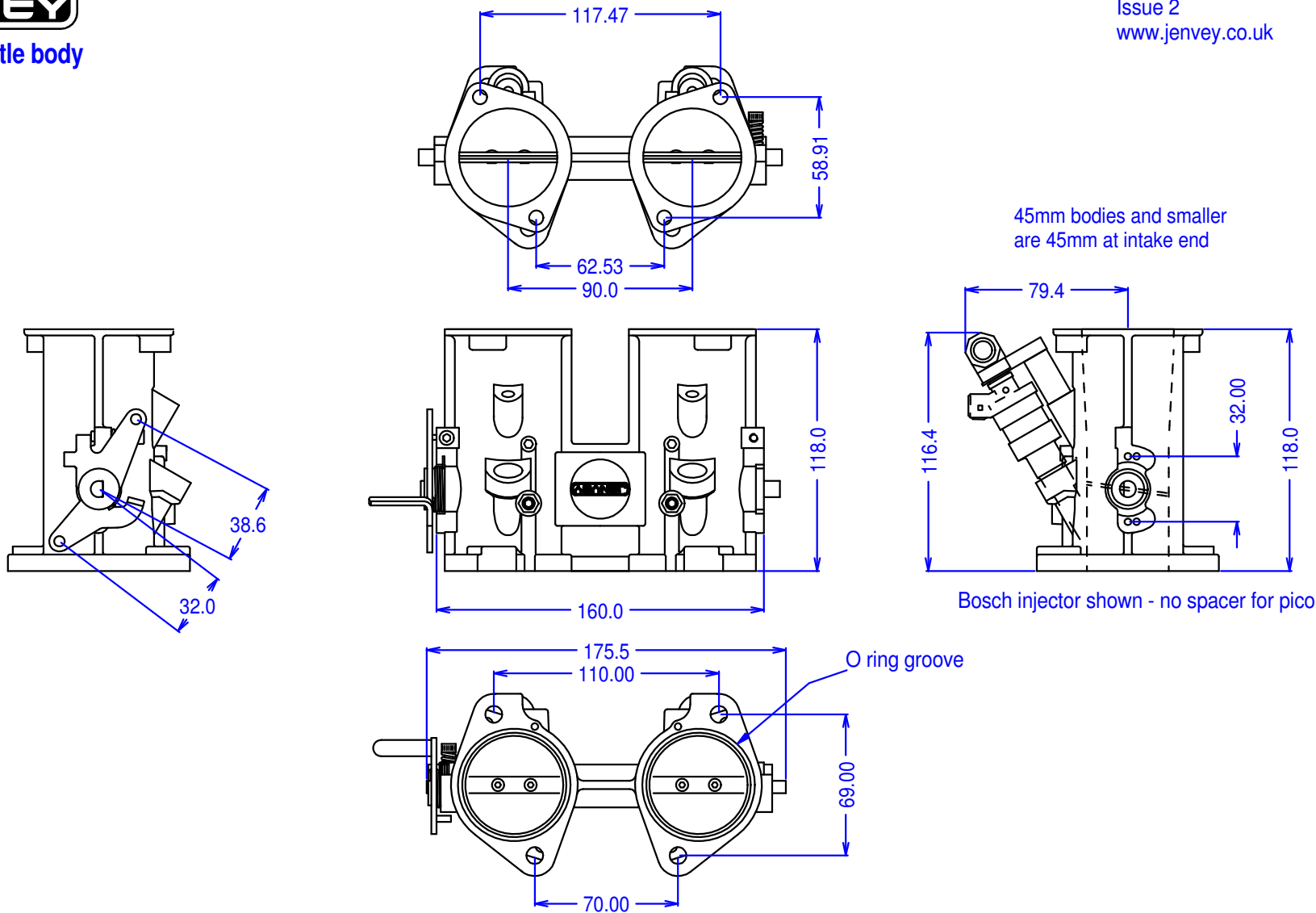




## TB twin throttle body

© Jenvey Dynamics Ltd 2000-2010  
Issue 2  
www.jenvey.co.uk



The TB body is designed as a direct replacement for twin horizontal carburettors from Weber, Dellorto, Solex etc. and finished in crackle black powder coat. The fuel rail (supplied separately) fits within the length of the body with both pico and bosch injectors, allowing use of a flat airfilter backplate. The body comes with 'O' rings on the outlet, idle bypass adjustment, interconnecting link and bungs for the inlet end.

Operating data; Spindle rotation: 82 degrees. Torque per spindle at WOT: 300 - 340 N-mm which gives a tangential pull of 8 - 9 N on long arm of standard lever.