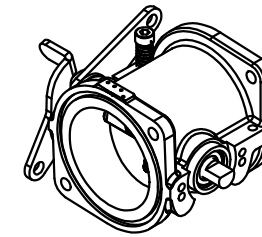
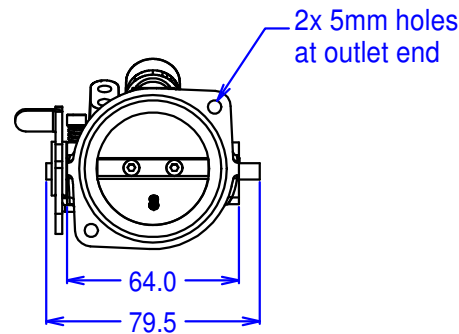


Injected body



Non-injected body

The type ST body is designed as the ultimate, no - compromise fuel injection throttle body. It may be fitted any way up and at centre distances of 63mm and above. It is available with 0, or 1 injector position and may be CNC bored to any reasonable shape on request. Tapered bore bodies are made with 32, 35 and 38mm butterfly sizes. Bodies are fitted with an integral fuel rail mounting system. We manufacture suitable fuel rails to order, with many of the popular sizes stocked. Complete with left hand linkage (when ordering 1 body) or standard in-line interconnecting links when ordering a number of bodies. Bodies come with 'O' rings and bungs for the inlet end. Operating data; Spindle rotation: 82 degrees. Torque per spindle at WOT: 110 - 120 N-mm which gives a tangential pull of 2.9 - 3.1 N on long arm of standard lever. Option of 310 N-mm springs available. Other items; Quadrant throttle mechanism, linkage kits, air horns (bellmouths, trumpets, stacks), throttle potentiometers, fuel rails.