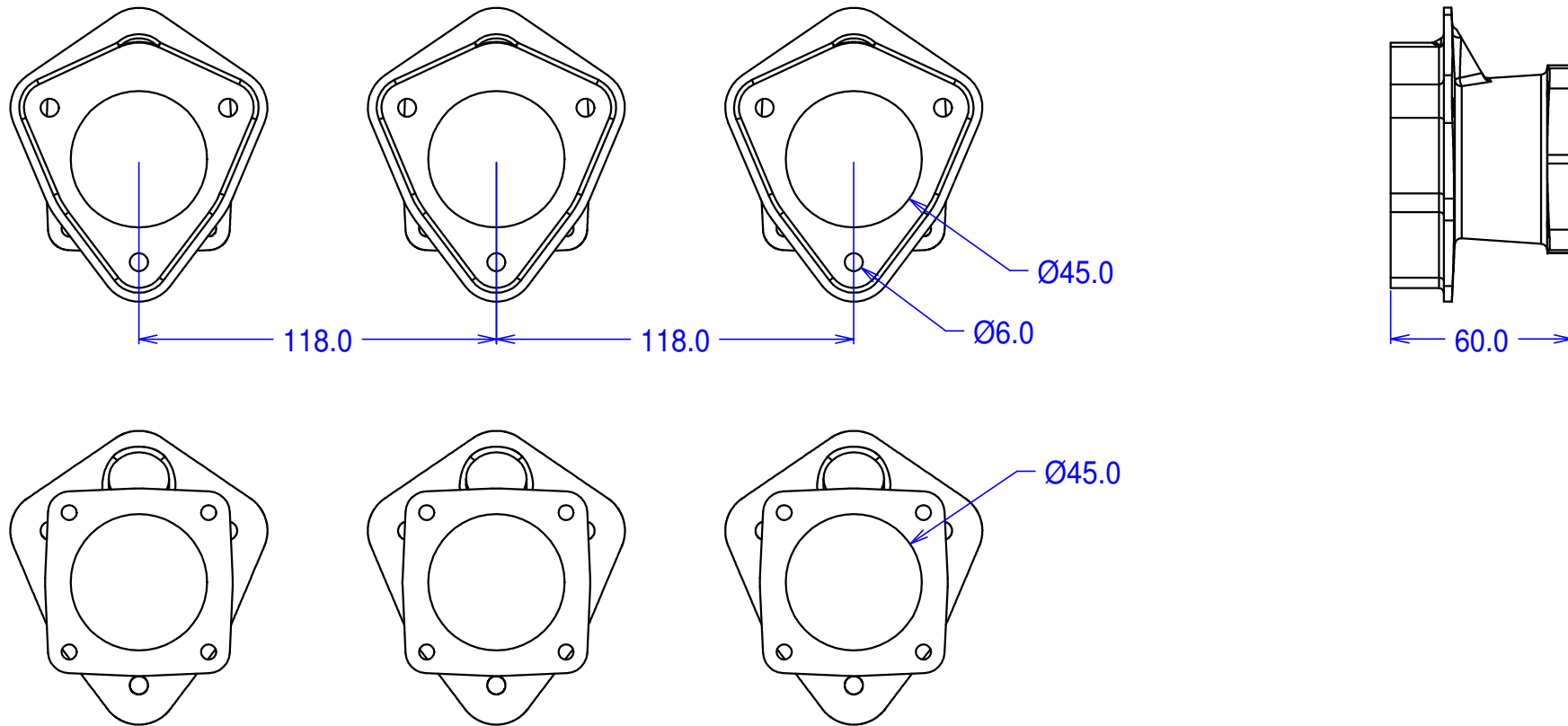




PCF01 - Porsche Flat 6 3-bolt aircooled manifold stubs for individual throttle bodies



May be ported out to 52mm at body flange and 48mm at head flange.
Supplied as set of 6.
Bosses on each port for Injector pockets or vacuum tappings.