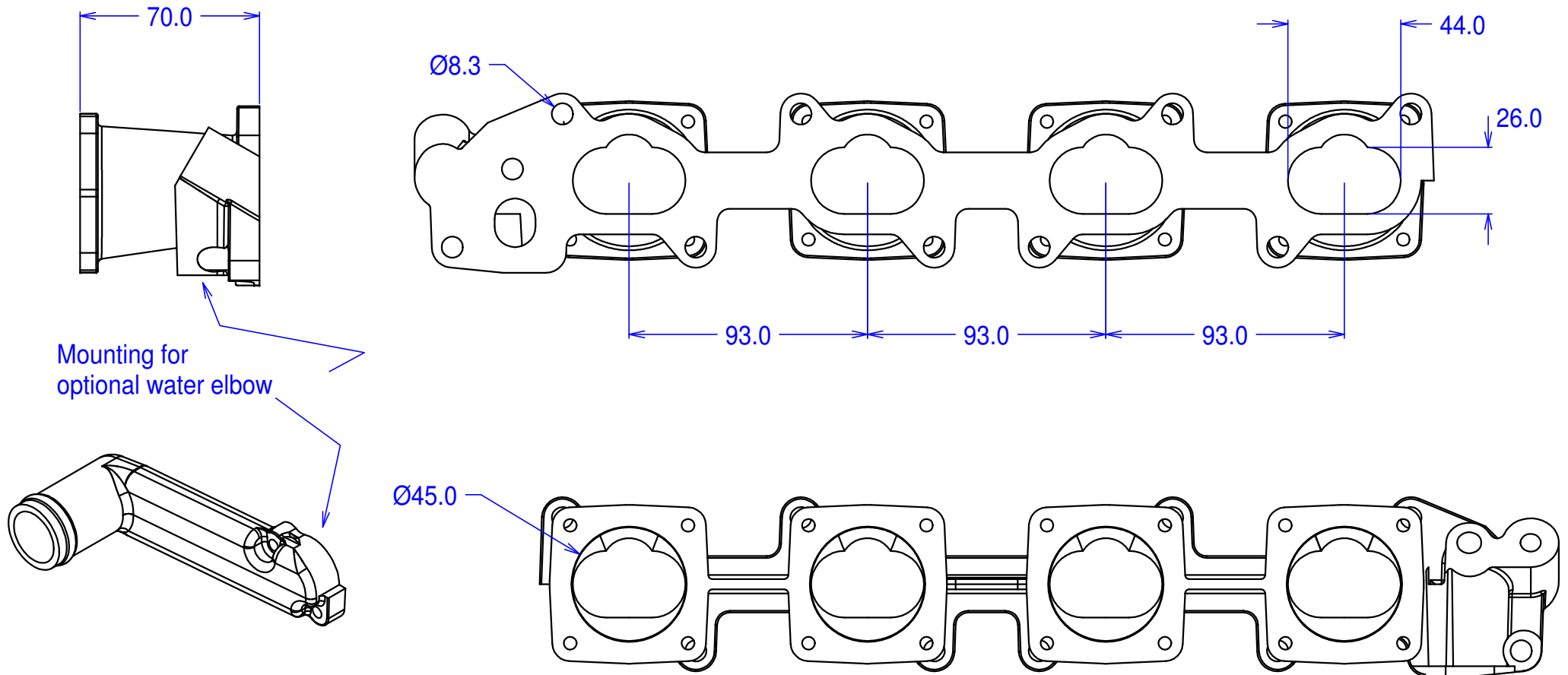


MV07 - Opel & Vauxhall XE manifold for individual throttle bodies



Flanges for Jenvey SF throttle bodies. May be ported out to 50mm at body flange and proportionally at head flange.
Bosses on underside for vacuum tapings.
Optional water elbow (MWE01) for standard hoses.