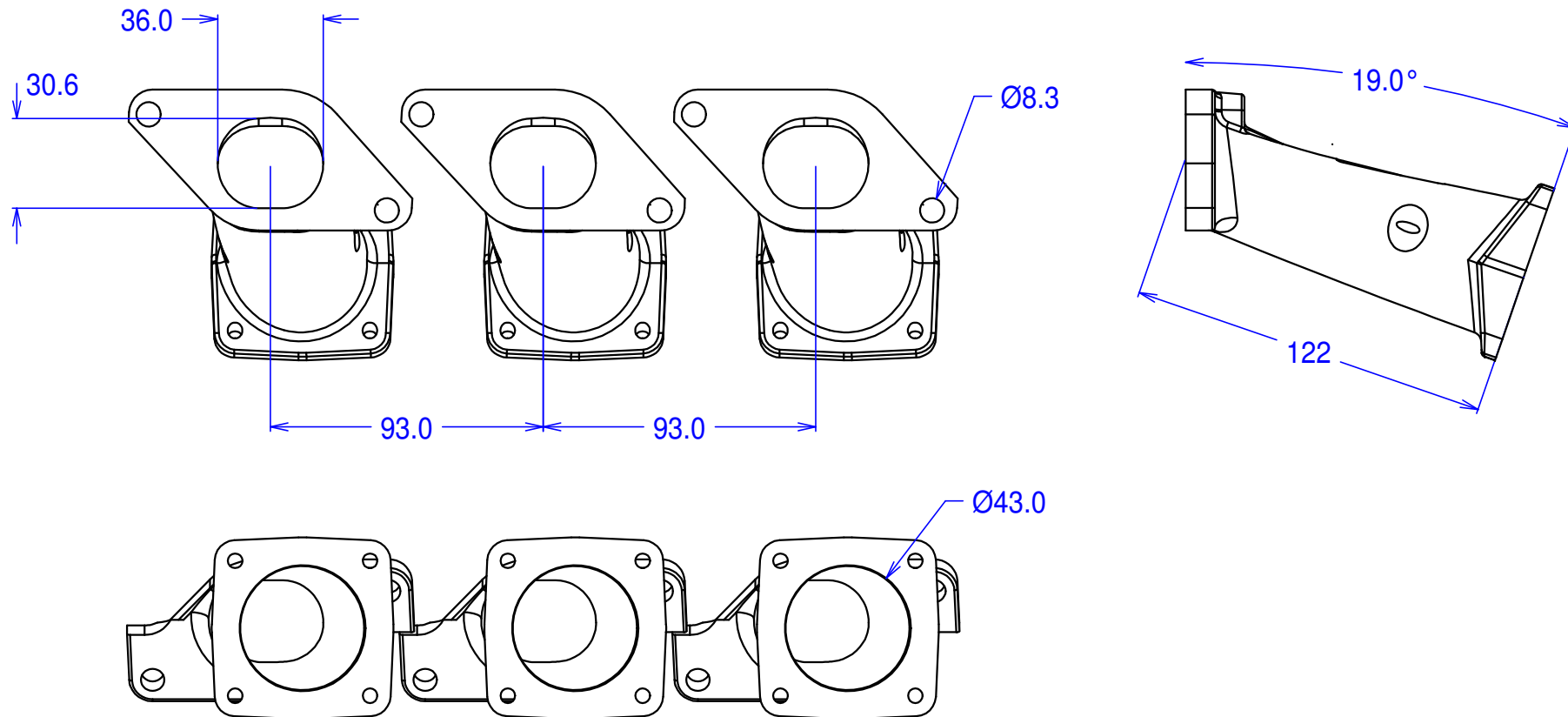


MV06 - Opel & Vauxhall V6 XE manifold for individual throttle bodies



Flanges for Jenvey SF throttle bodies. May be ported out to 46mm at body flange and proportionally at head flange.
Bosses on top-side for vacuum tapplings.
Supplied as set of 6 individual manifolds for cross-over induction