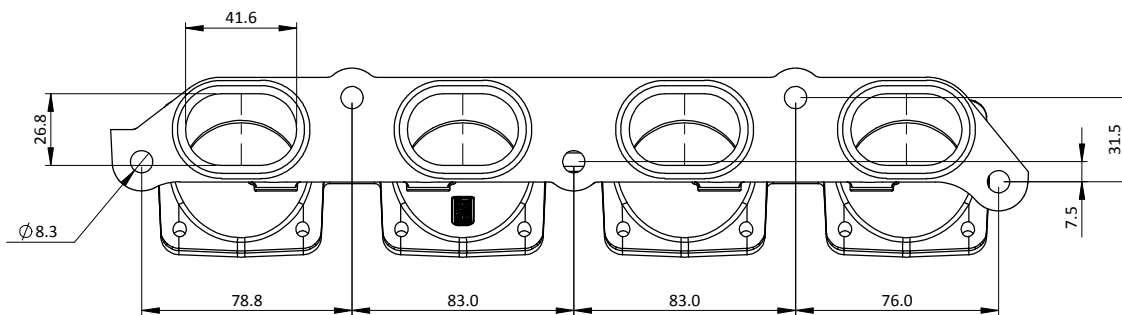
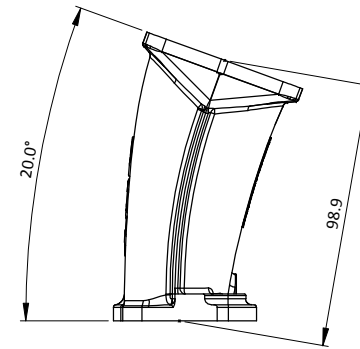
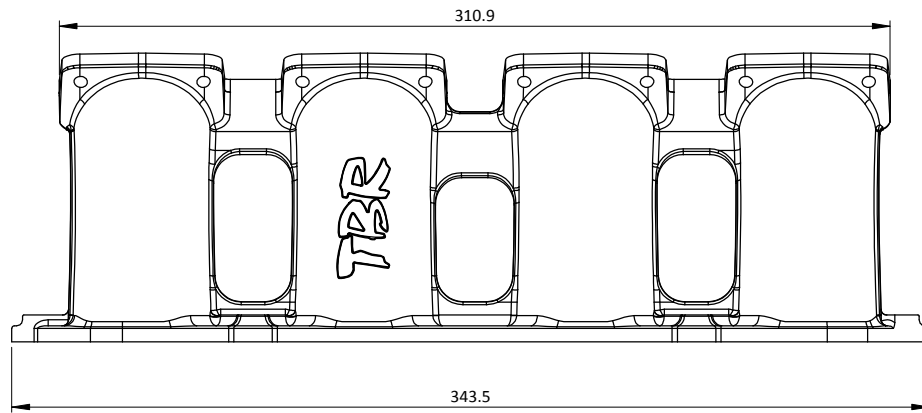
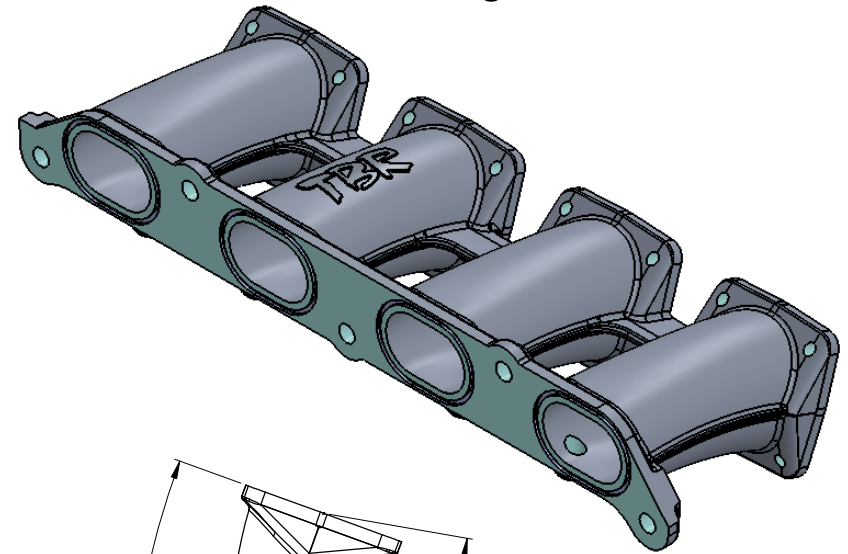
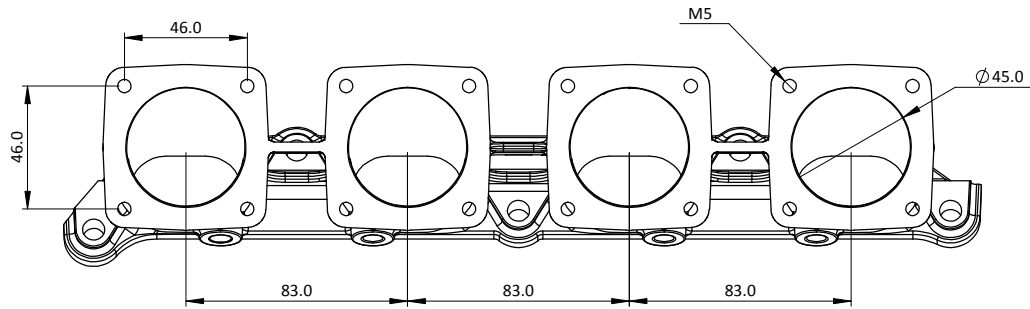


MTY01 - TOYOTA YARIS INZFE MANIFOLD



Engineered to win



Frame: 1 of 1

Version: 3

Tel 01746 768810

© JENVEY DYNAMICS LTD. 2015

Web WWW.JENVEY.CO.UK

