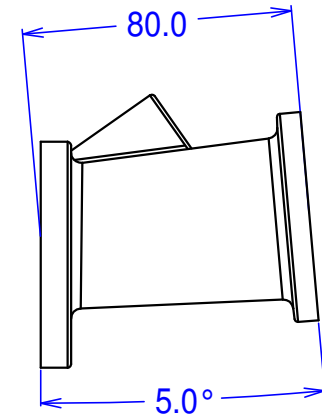
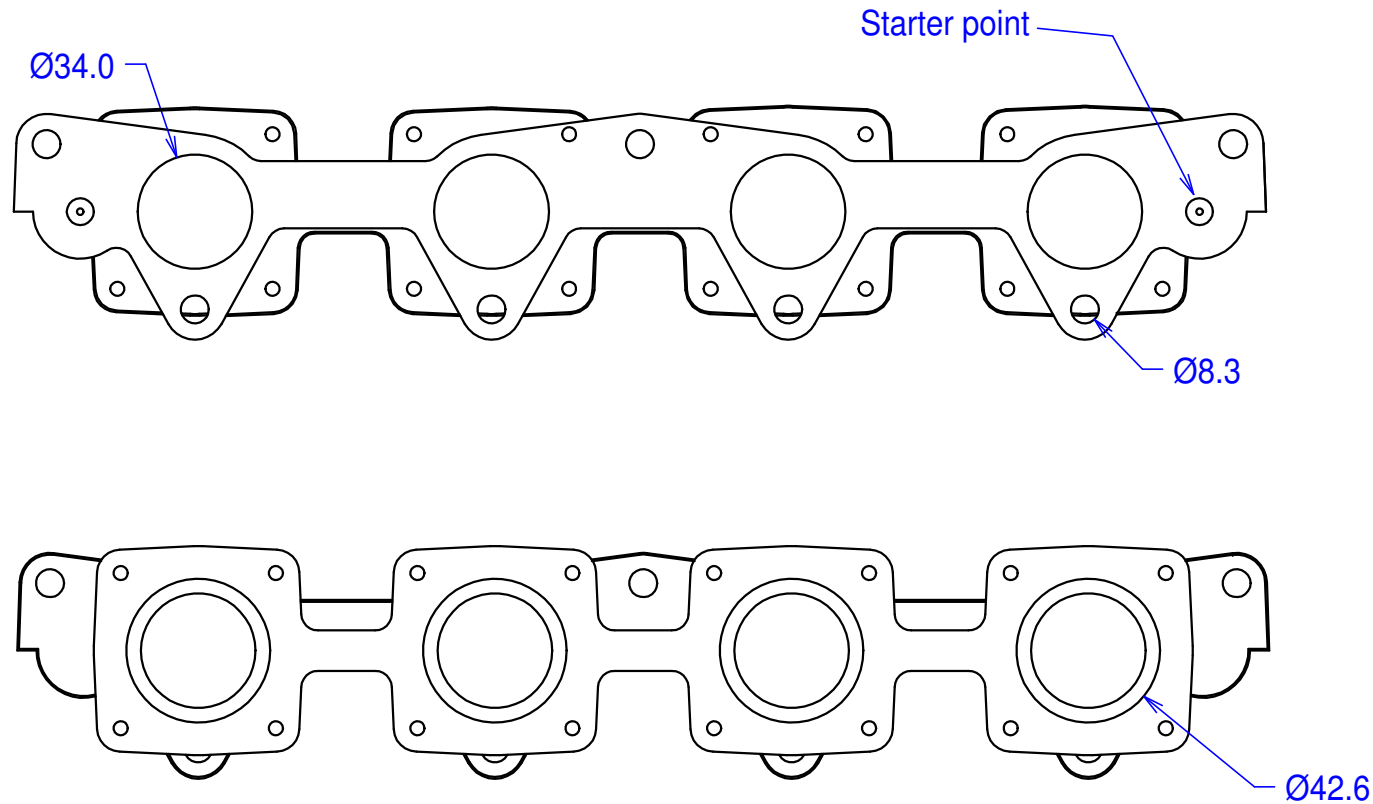


MR08N - Rover K manifold for individual throttle bodies



Flanges for Jenvey SF throttle bodies. May be ported out to 46mm at body flange and proportionally at head flange.
Undrilled bosses on top side for injectors or brakes, fast idle valve, sensors etc.
Option MR08 for drilled injector pockets.