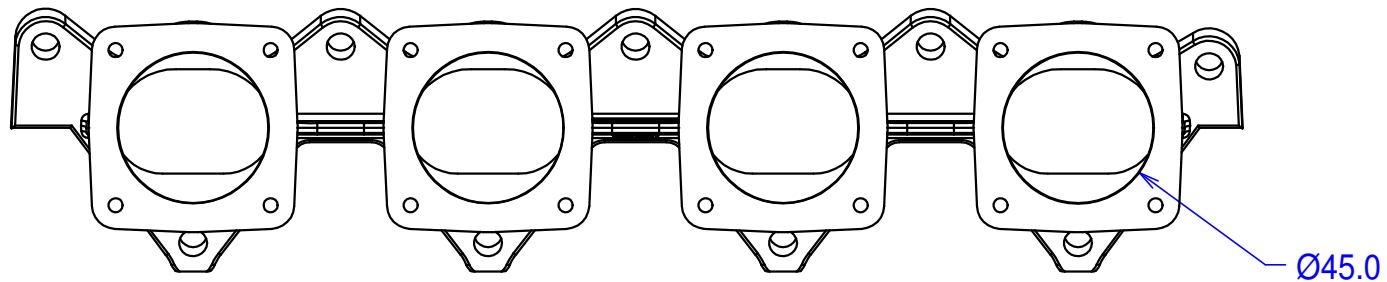
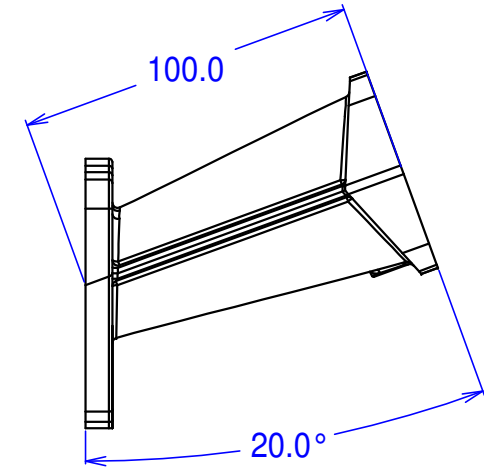
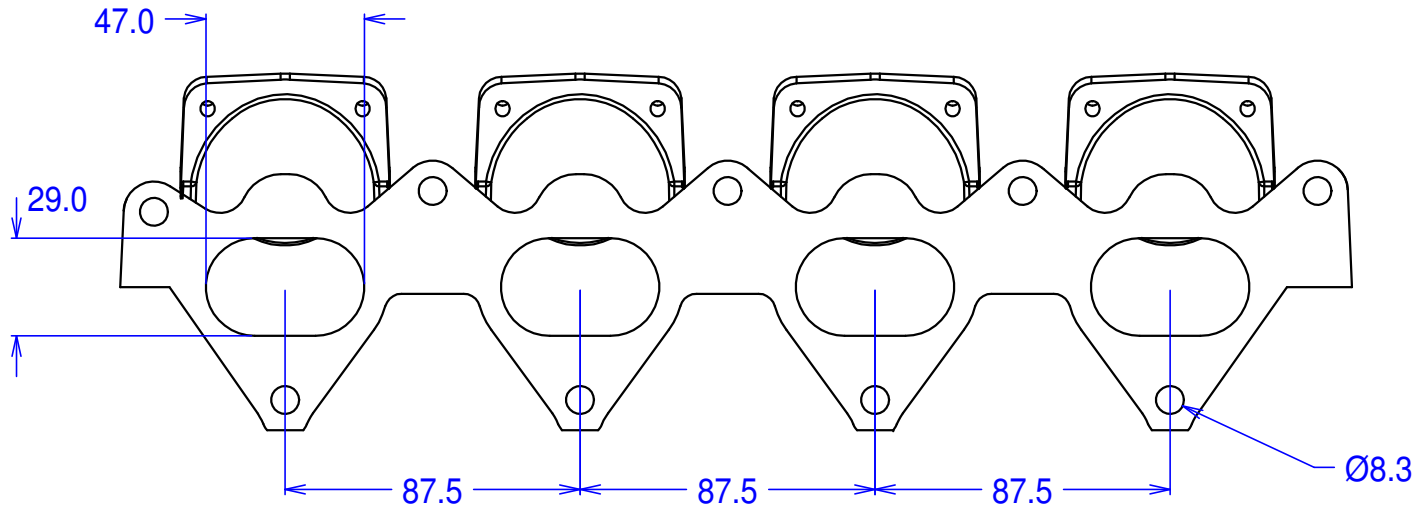


MPN01 - Proton 4G92 / Mitsubishi Colt 1.4L & 1.6L manifold for individual throttle bodies



Flanges for Jenvey SF throttle bodies.
Undrilled tapping bosses on underside for brakes, fast idle valve, sensors etc.