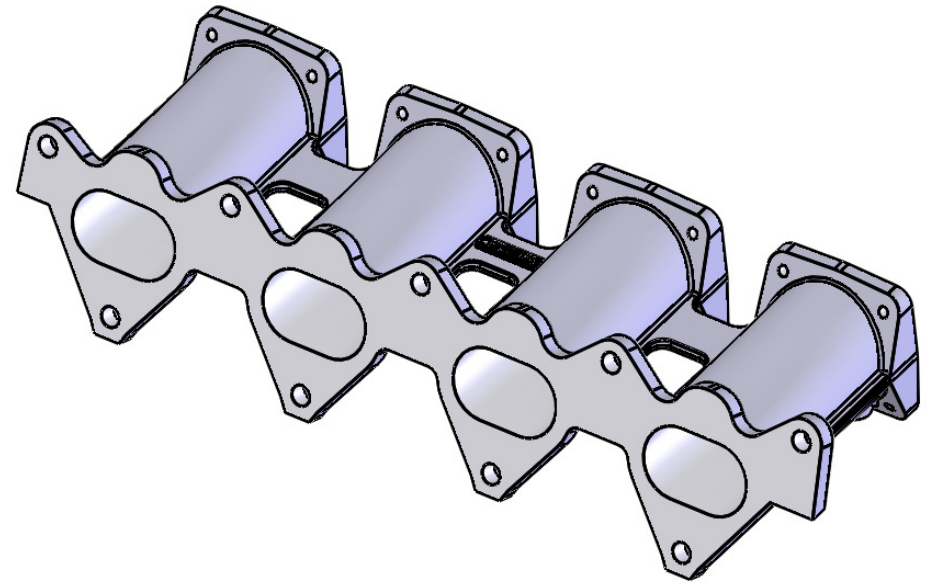
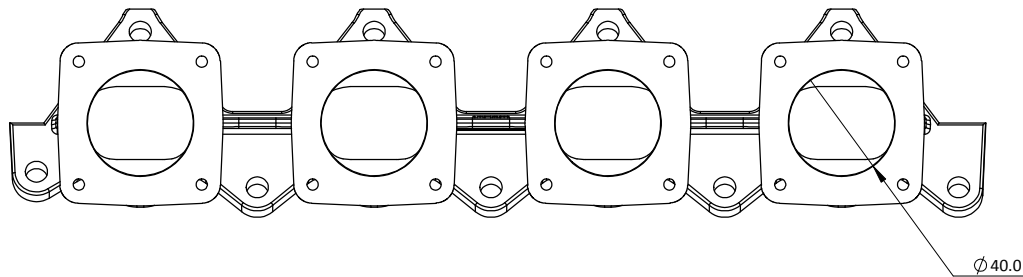
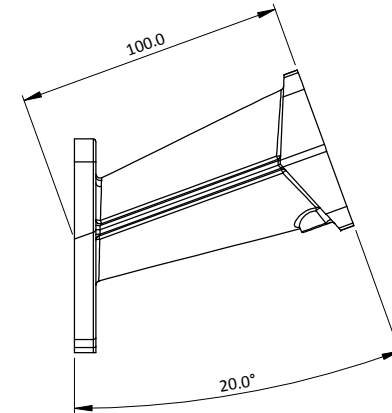
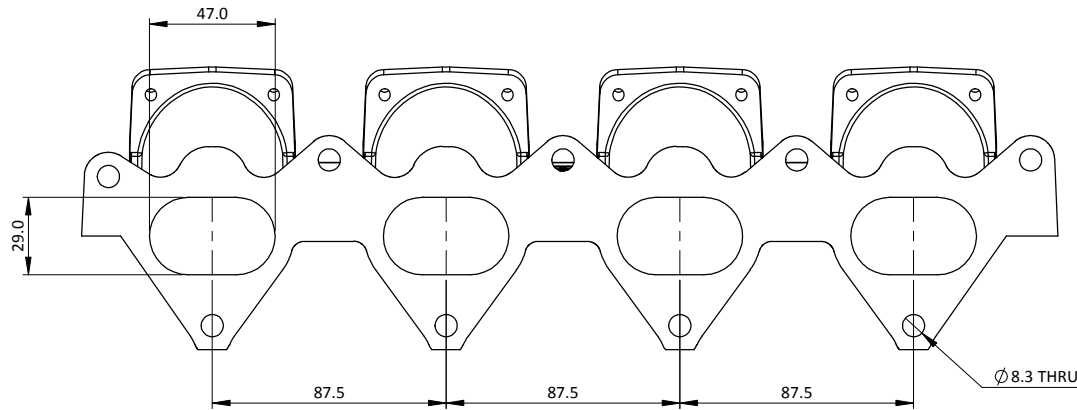


MPN01 -
 PROTON 4G92 / MITSUBISHI COLT 1.4L & 1.6L MANIFOLD FOR
 INDIVIDUAL THROTTLE BODIES



Engineered to win



FLANGES FOR JENVEY SF THROTTLE BODIES.
 UNDRILLED TAPPING BOSSES ON UNDERSIDE FOR BRAKES, FAST IDLE VALVE,
 SENSORS ETC.

Frame: 1 of 1	
Version: 2	
Tel 01746 768810	© JENVEY DYNAMICS LTD. 2015
Web WWW.JENVEY.CO.UK	