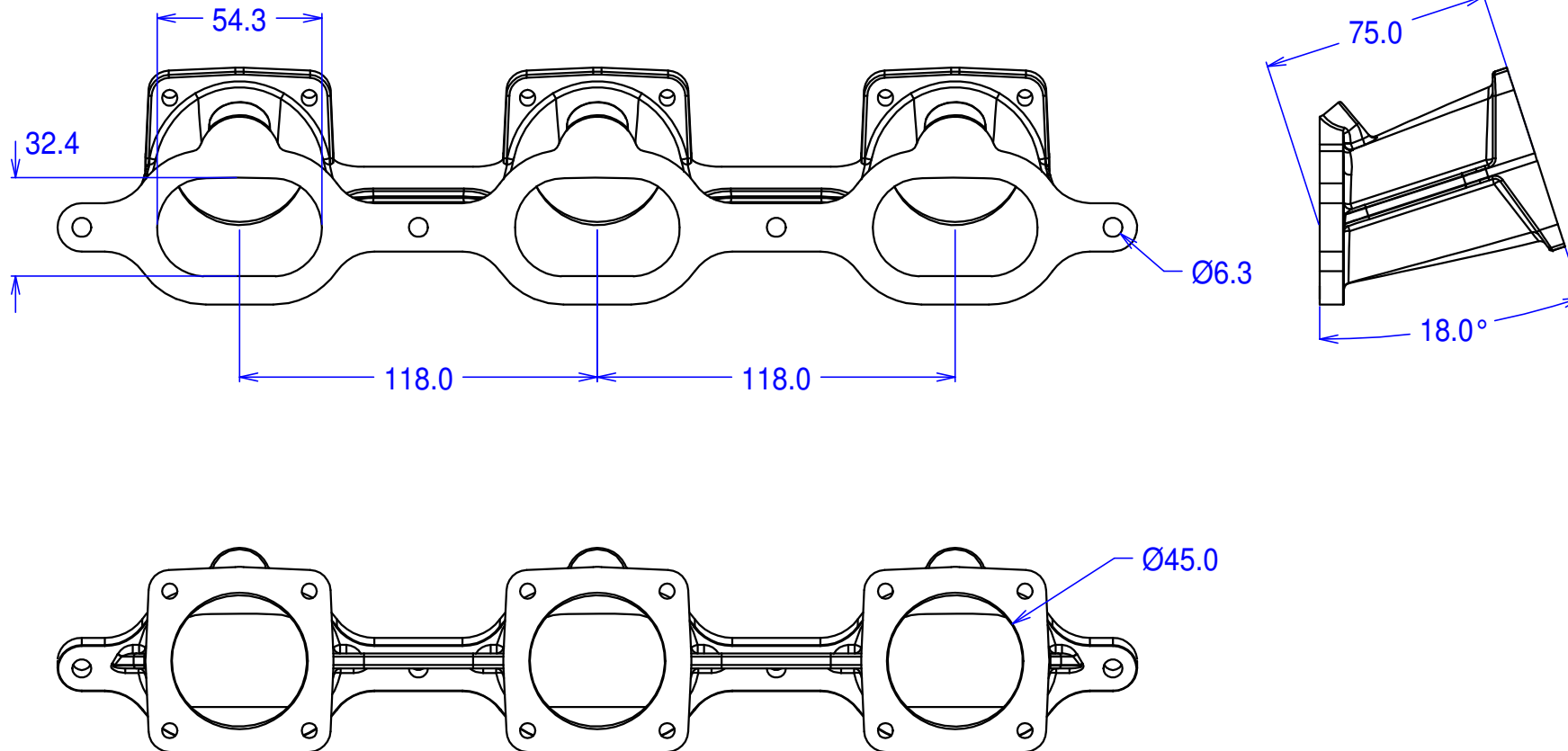




MPC03 - Porsche Flat 6 water-cooled manifolds for individual throttle bodies



May be ported out to 50mm at body flange and proportionally at head flange.
Supplied as matched pair.
Bosses on each port for Injector pockets or vacuum tappings.