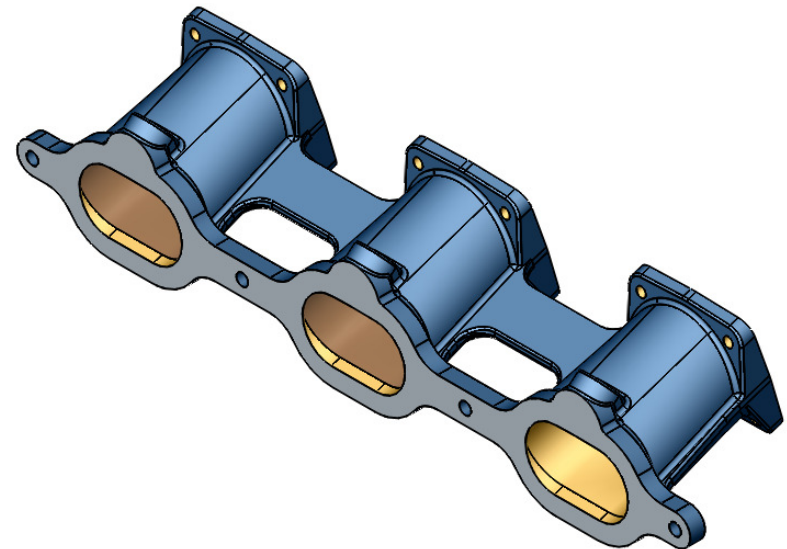
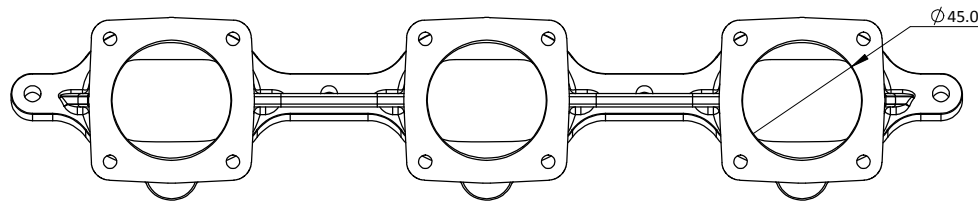
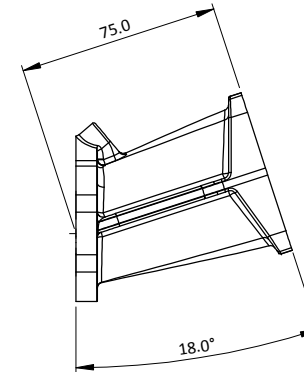
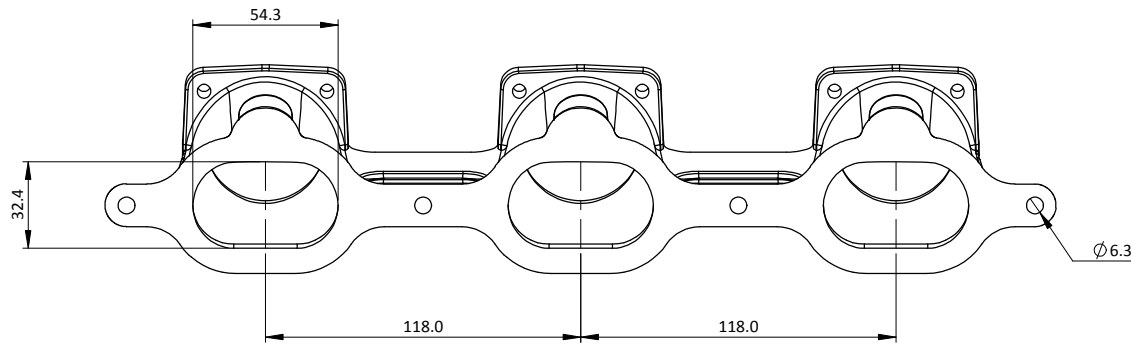


# MPC03 - PORSCHE FLAT 6 WATER COOLED MANIFOLDS FOR ITB'S



Engineered to win



MAY BE PORTED OUT TO 50MM AT BODY FLANGE AND PROPORTIONALLY AT HEAD FLANGE.

SUPPLIED AS MATCHED PAIR.

BOSSES ON EACH PORT FOR INJECTOR POCKETS OR VACUUM TAPPINGS.

Frame: 1 of 1

Version: 1

Tel 01746 768810

© JENVEY DYNAMICS LTD. 2015

Web WWW.JENVEY.CO.UK

