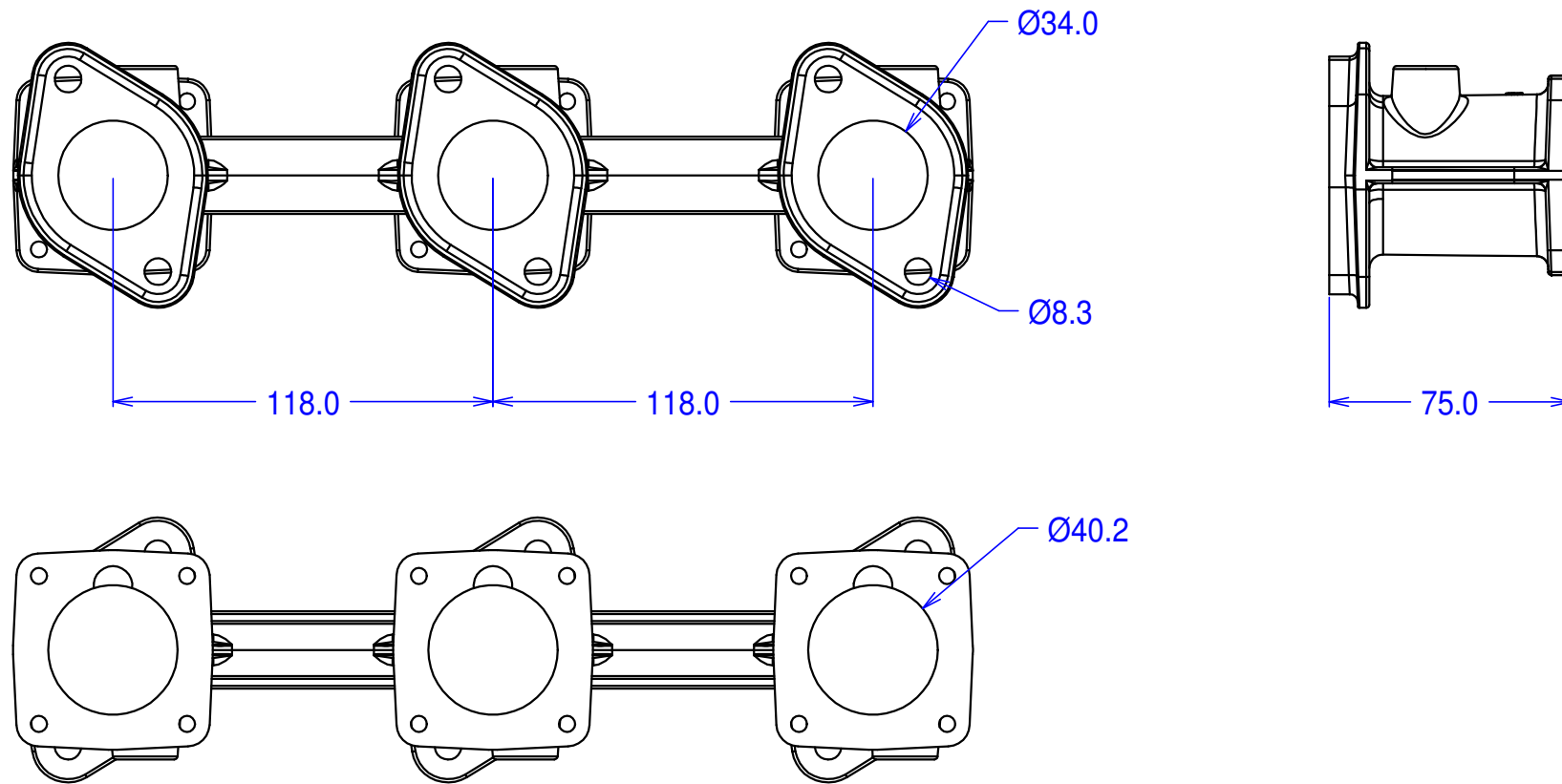


## MPC01-34 - Porsche F6 a/c 2 stud (34mm port) manifold for individual throttle bodies



May be ported out to 46mm at body flange and proportionally at head flange.  
Bosses on each port for vacuum tapings.