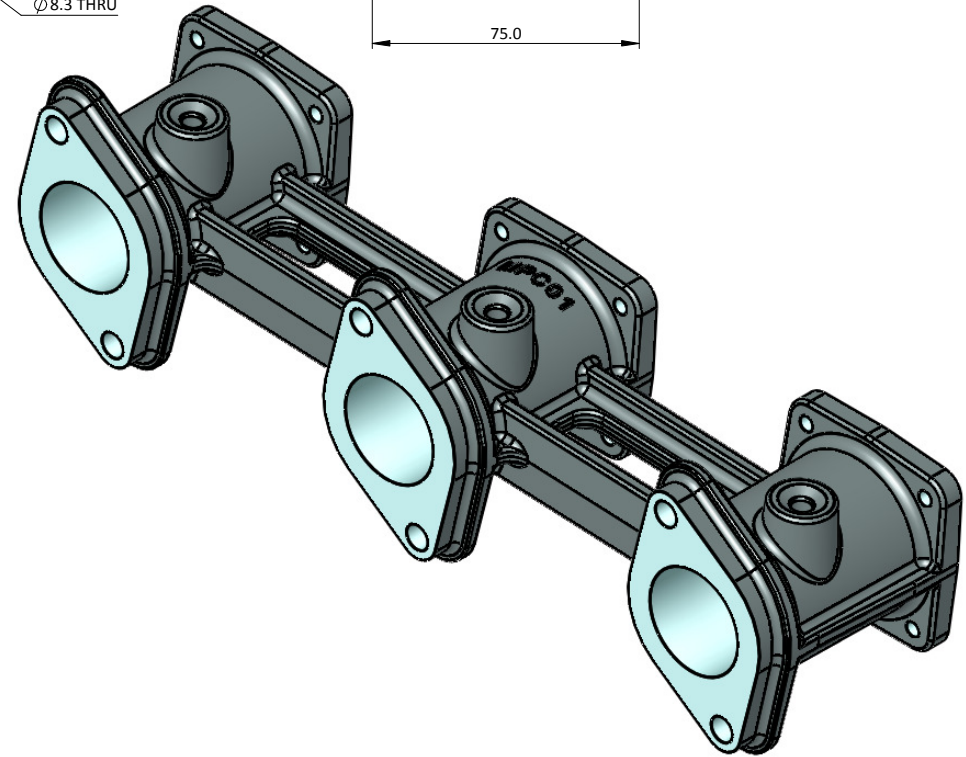
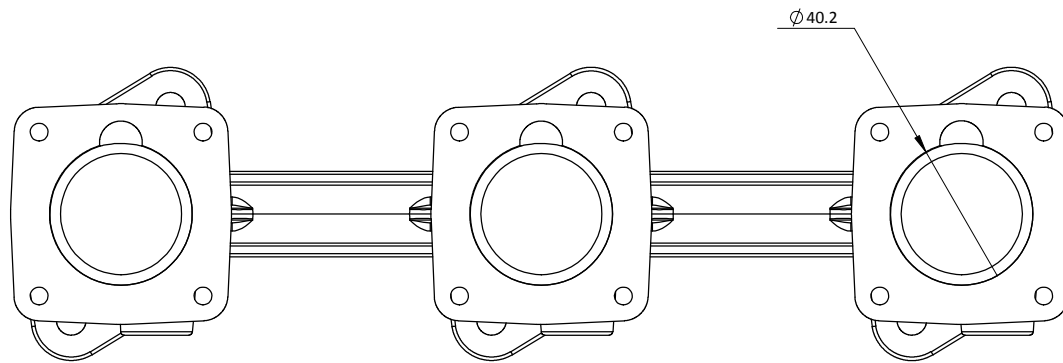
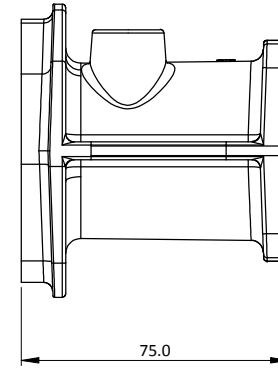
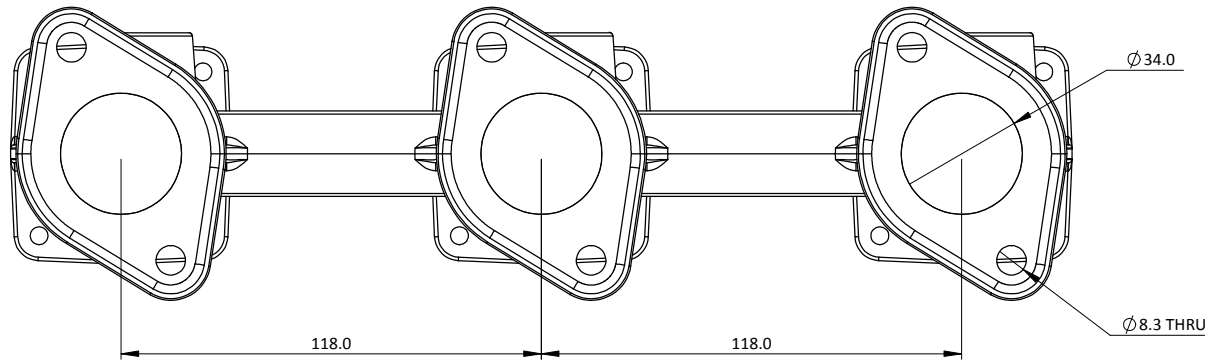


MPC01-34 - PORSCHE F6 A/C 2 STUD (34MM PORT) MANIFOLD FOR ITB'S



Engineered to win



MAY BE PORTED OUT TO 46MM AT BODY FLANGE AND PROPORTIONALLY AT HEAD FLANGE.
BOSSSES ON EACH PORT FOR VACUUM TAPPINGS.

Frame: 1 of 1

Version: 3

Tel 01746 768810

© JENVEY DYNAMICS LTD. 2015

Web WWW.JENVEY.CO.UK

