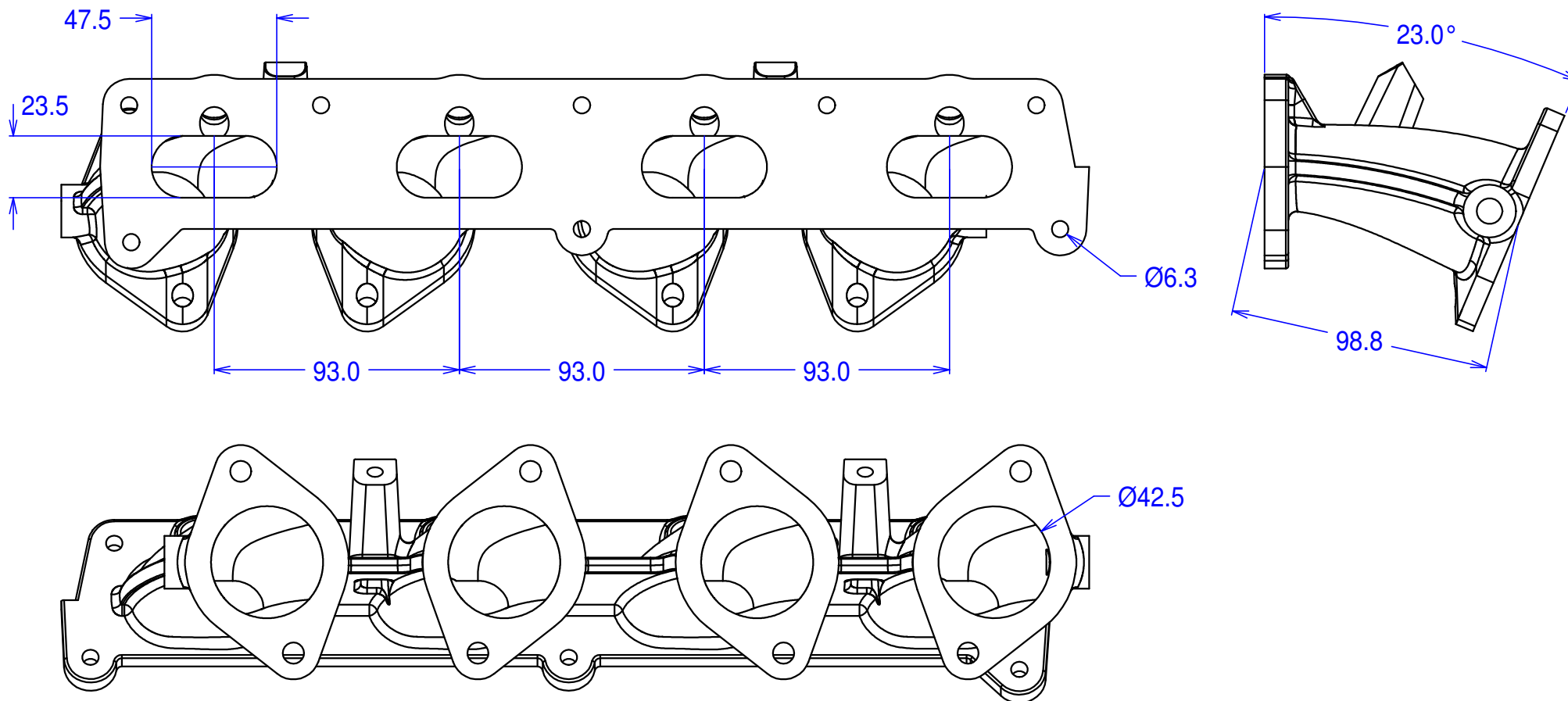


MP05 - Peugeot 2L 16V 206 manifold for twin throttle bodies



May be ported out to 50mm at body flange and proportionally at head flange.
Includes provision for standard fuel rail.
2 bosses on ends for vacuum tappings.