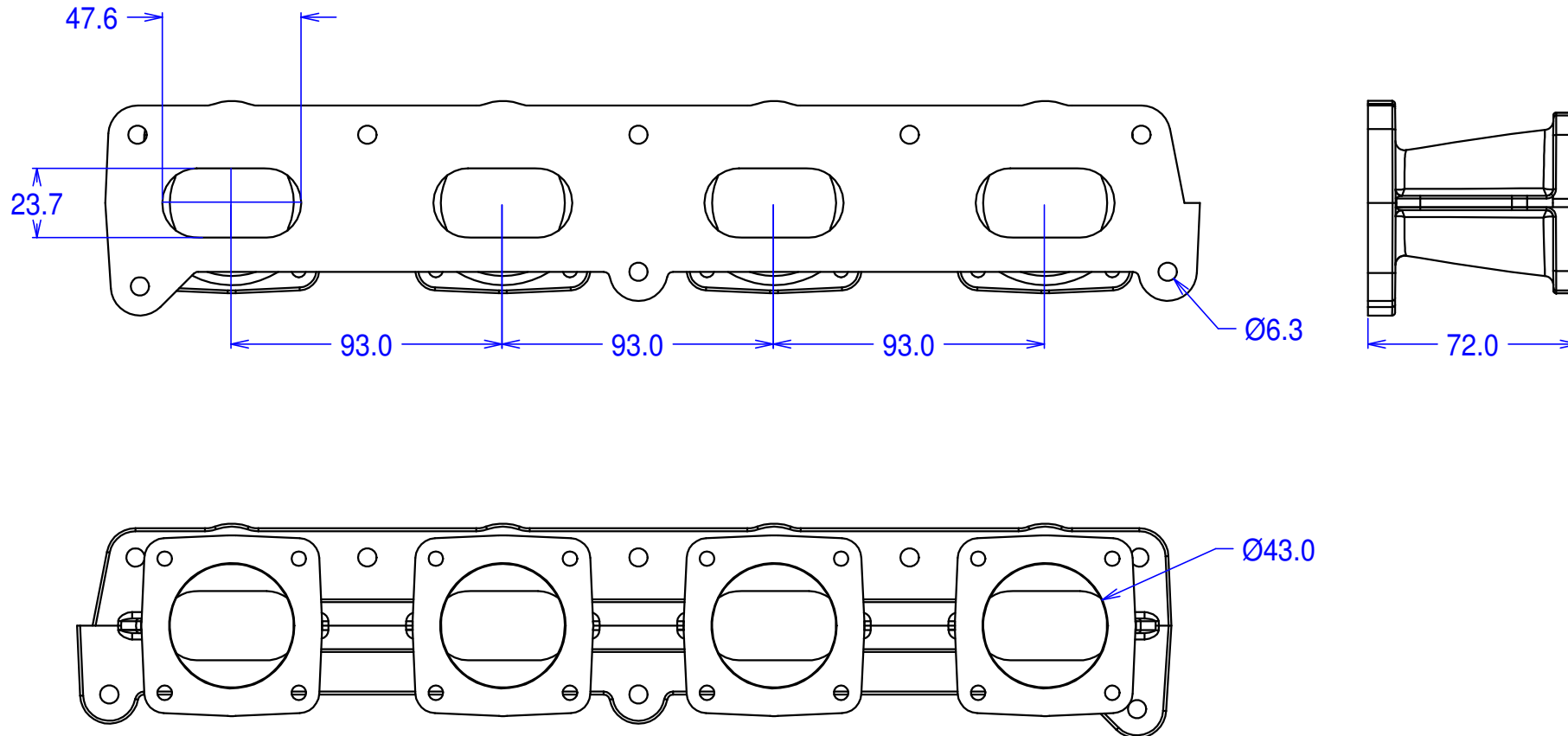


## MP04 - Peugeot 2L 16V 206 manifold for individual throttle bodies



Flanges for Jenvey SF throttle bodies.  
May be ported out to 48mm at body flange and proportionally at head flange.