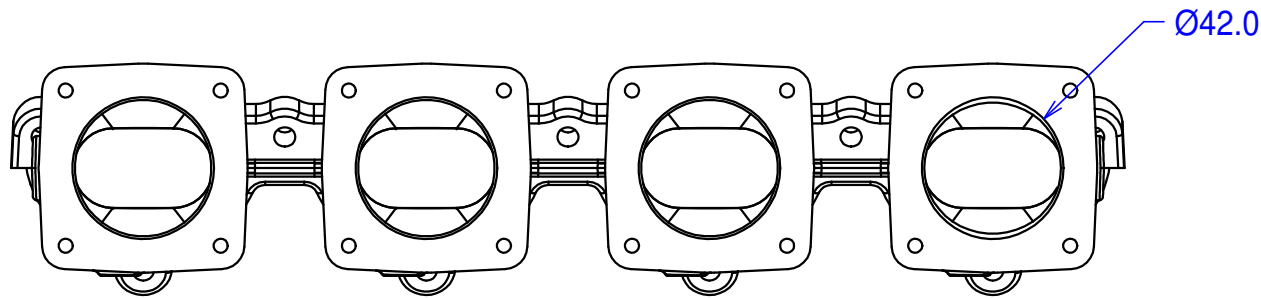
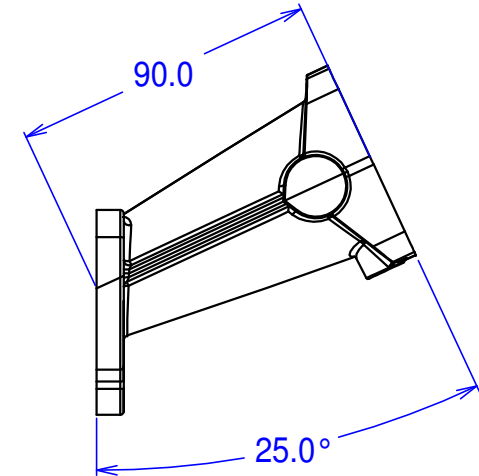
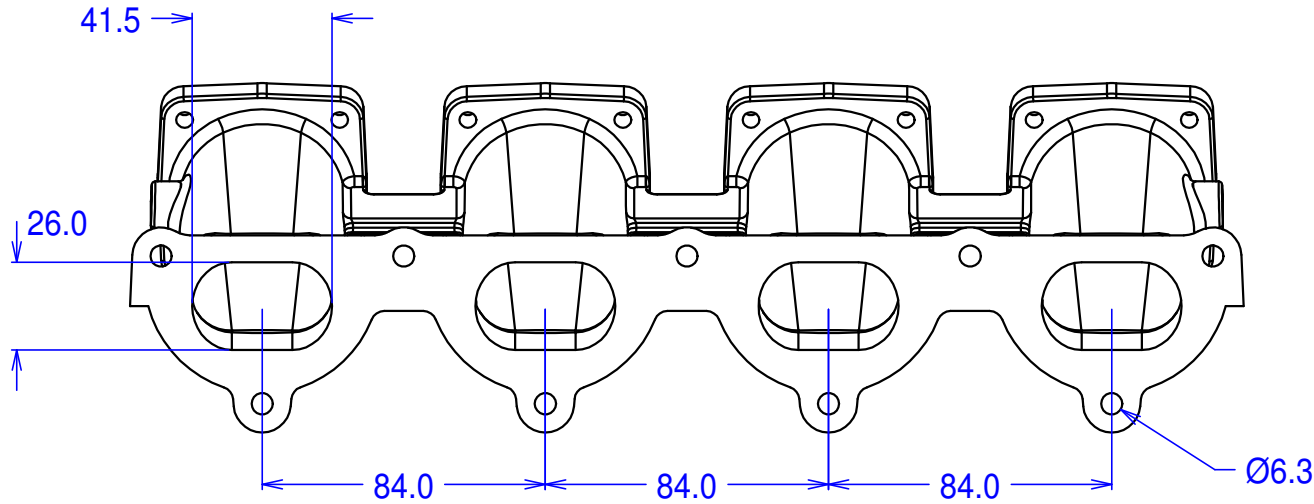




© Jenvey Dynamics Ltd 2000-2010
Issue 2
www.jenvey.co.uk

MP03 - Peugeot / Citroen TU5 1.6L 16V manifold for individual throttle bodies



For Jenvey ST throttle bodies or SF with spindle mods.
May be ported out to 45mm at body flange and proportionally at head flange.
2 bosses at ends and 4 on underside for vacuum tappings.