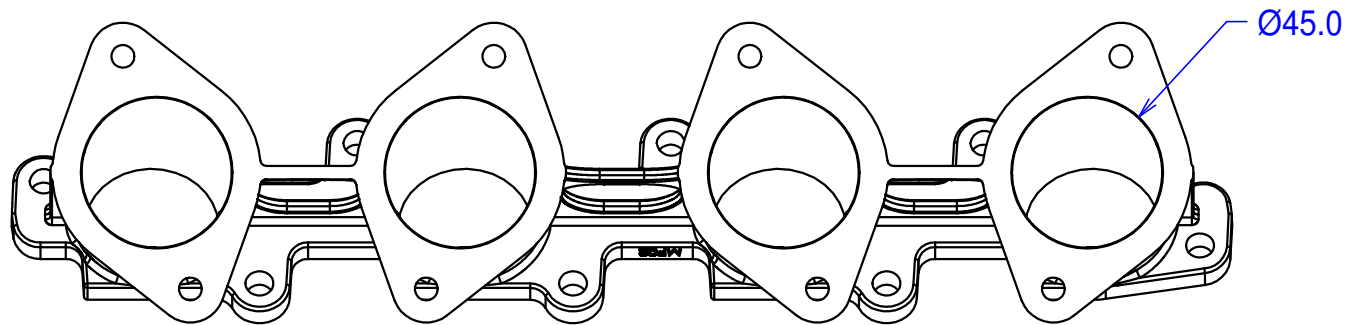
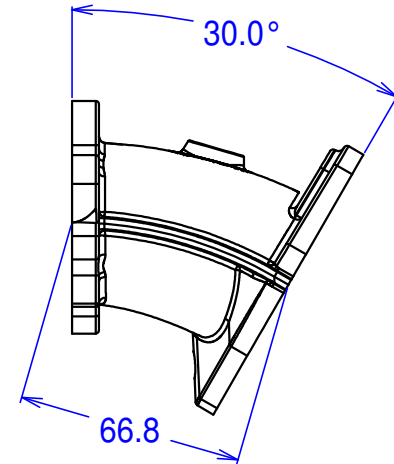
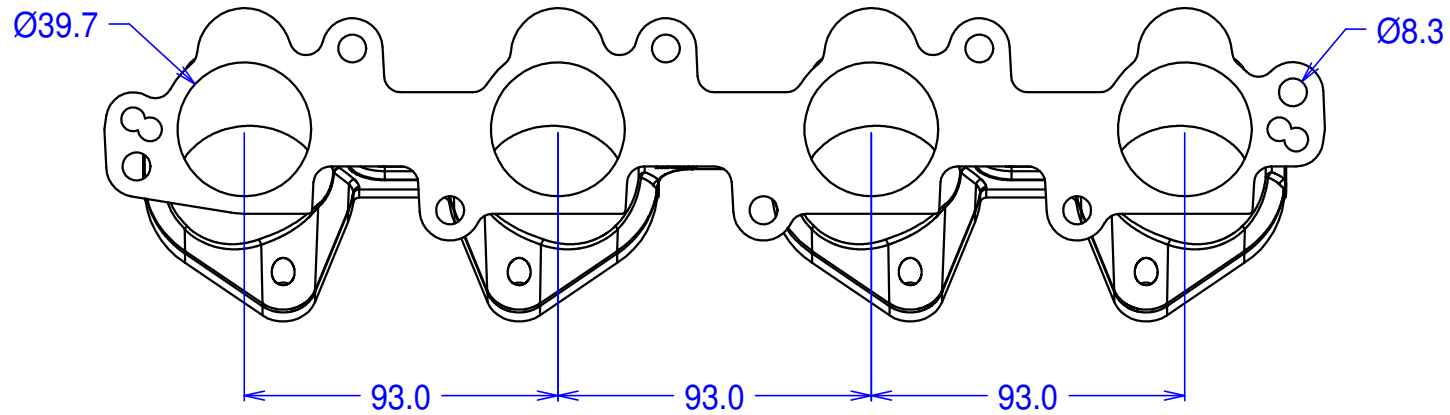




MP02 - Peugeot Mi16 1.9 & 2.0L & GTi6 manifold for twin throttle bodies

© Jenvey Dynamics Ltd 2000-2010
Issue 2
www.jenvey.co.uk



May be ported out to 48mm at body flange and proportionally at head flange.
Two bosses on top-side for vacuum tappings.