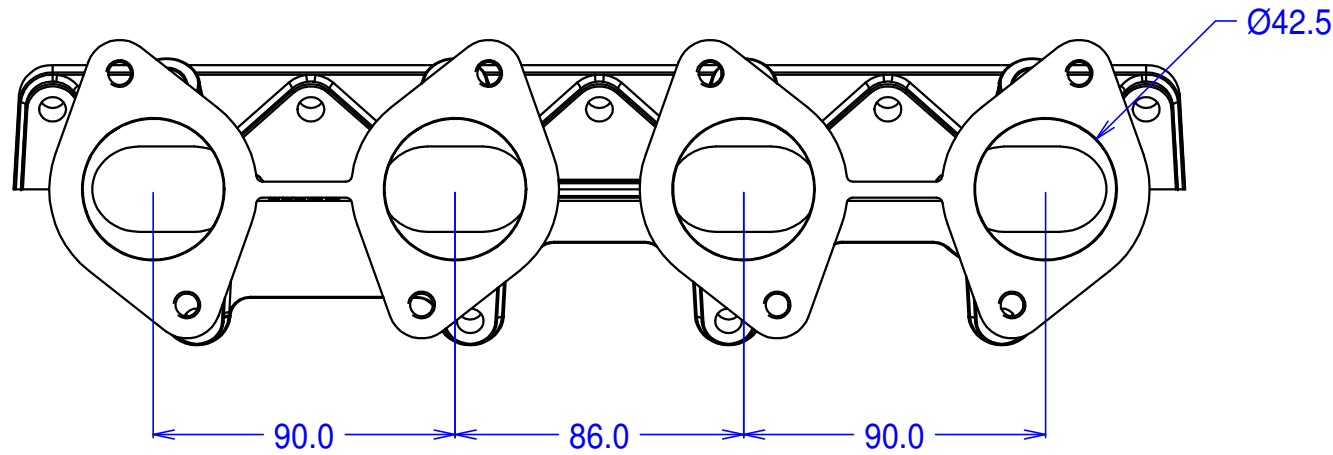
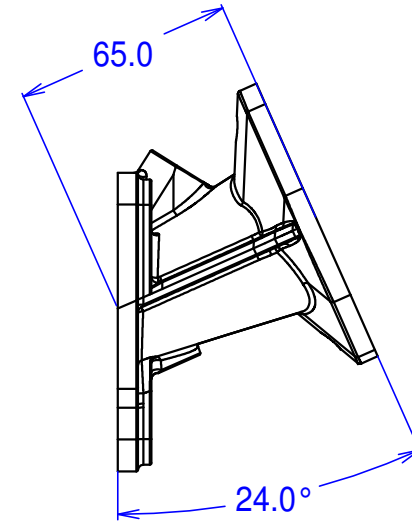
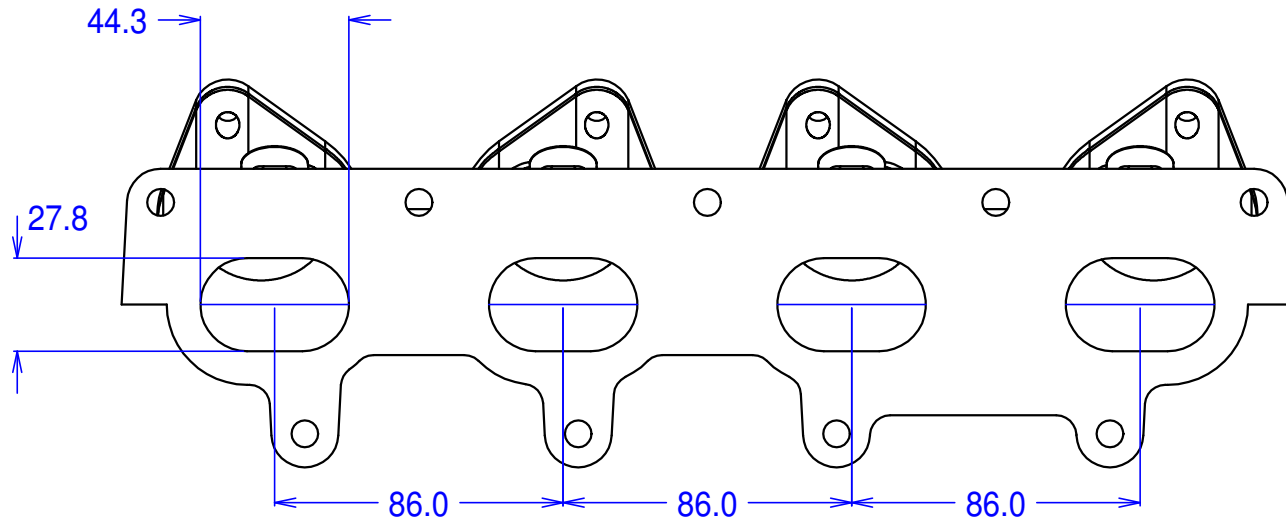




# MMZ03 - Mazda MX5 1.6L manifold for twin throttle bodies

© Jenvey Dynamics Ltd 2000-2012  
Issue 1  
[www.jenvey.co.uk](http://www.jenvey.co.uk)



May be ported up to 46mm at body flange and proportionally at head flange.  
Undrilled bosses on top side for injector ports, vacuum tapings etc. and undrilled bosses on underside for vacuum tapings.