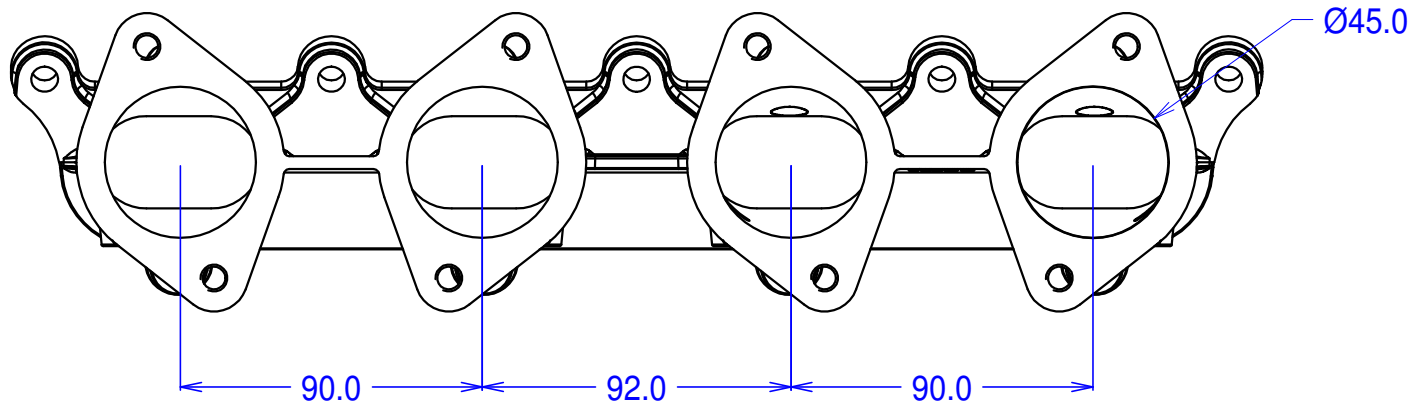
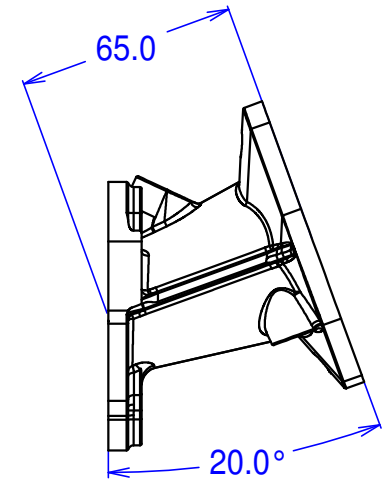
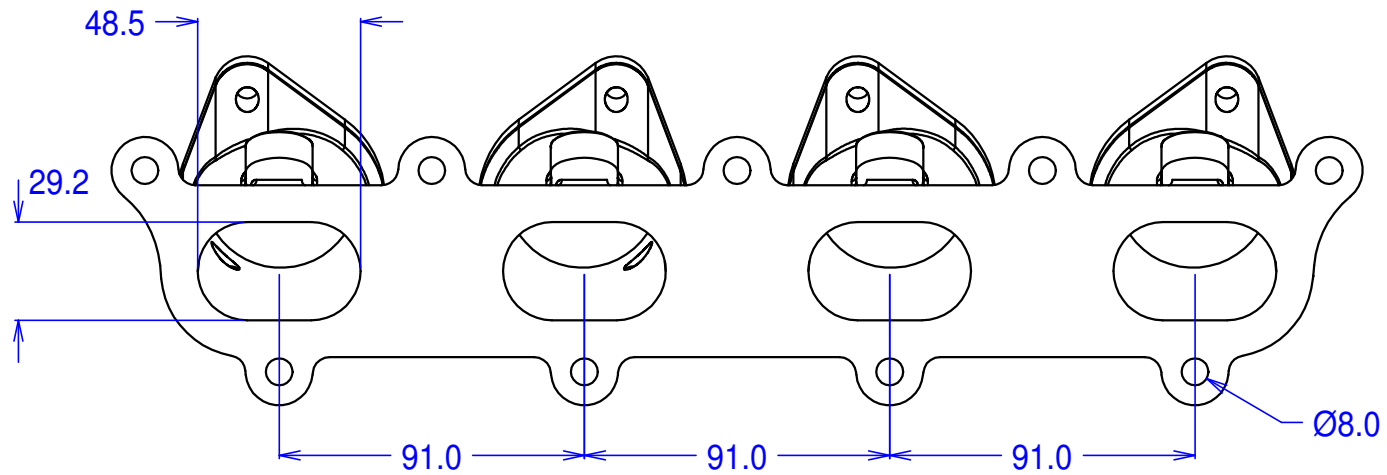


MMZ02 - Mazda MX5 1.8L (NA) manifold for twin throttle bodies



May be ported up to 50mm at body flange and proportionally at head flange.
Undrilled bosses on top side for injector ports, vacuum tappings etc. and undrilled bosses on underside for vacuum tappings.