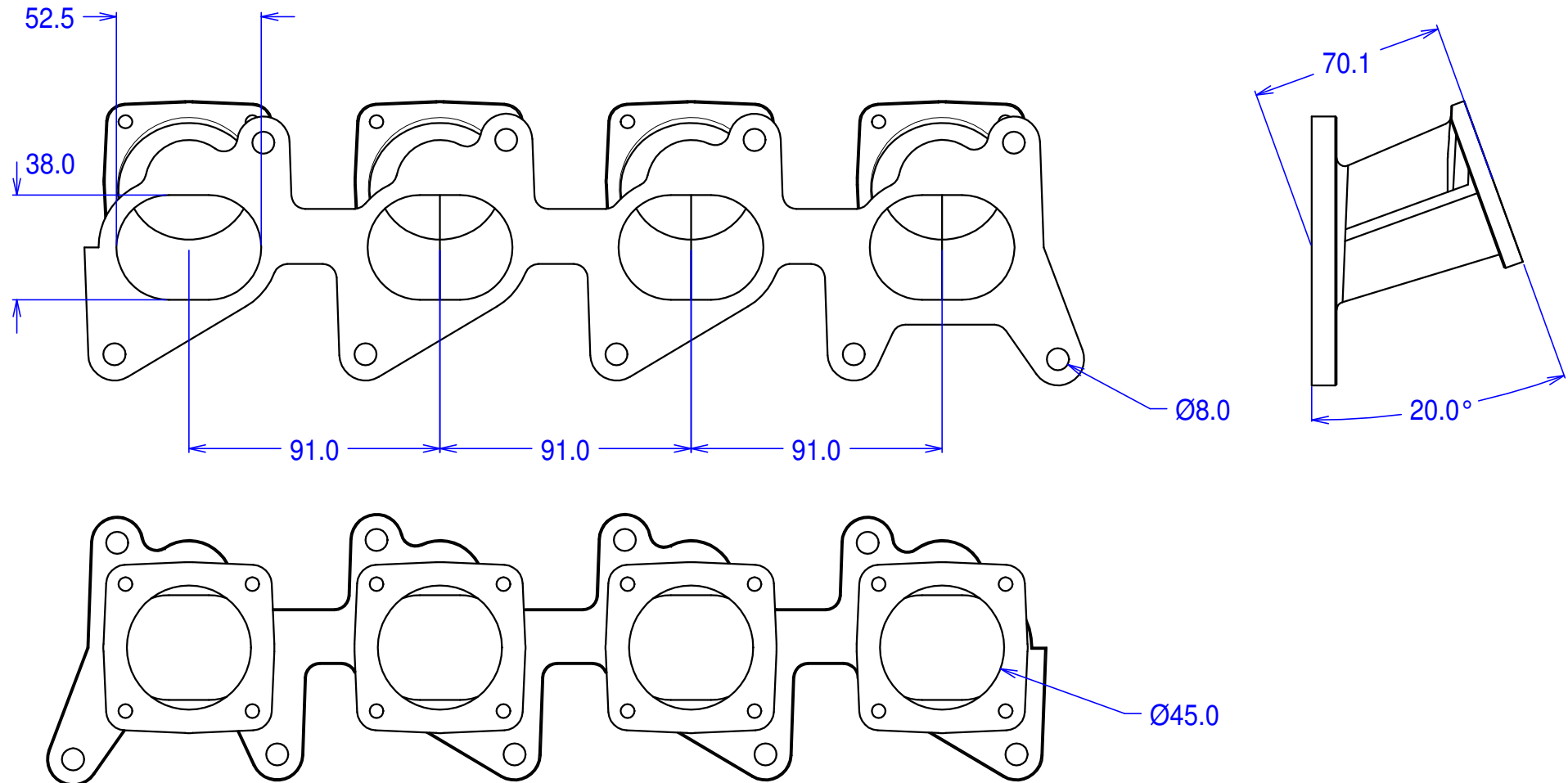


MHI01 - Hyundai Lantra manifold for individual throttle bodies



Flanges for Jenvey SF throttle bodies.
May be ported out to 48mm at body flange and proportionally at head flange.