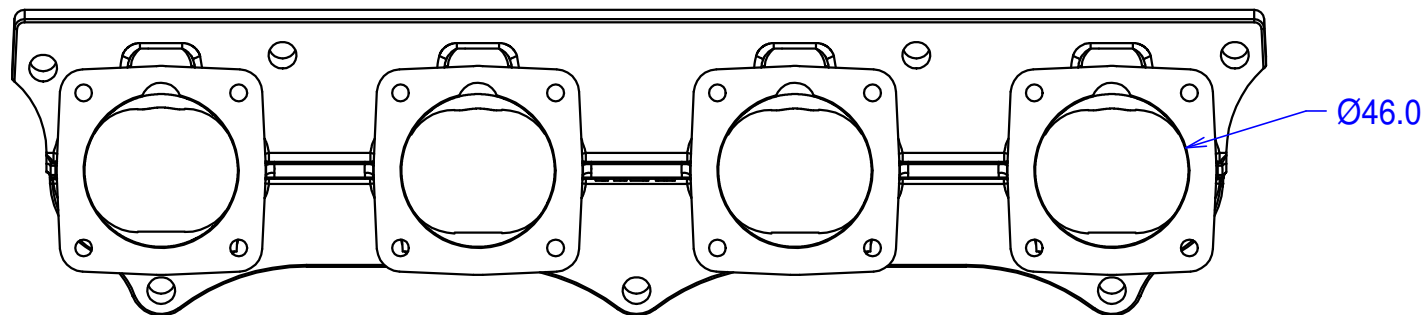
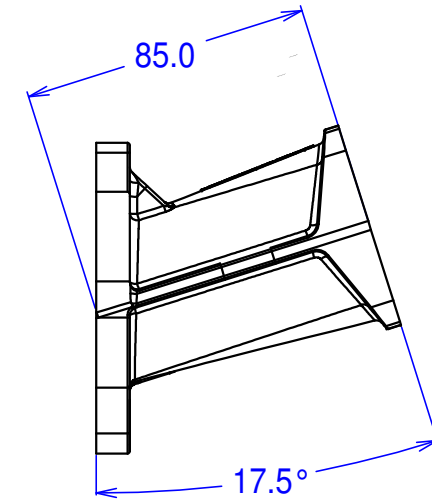
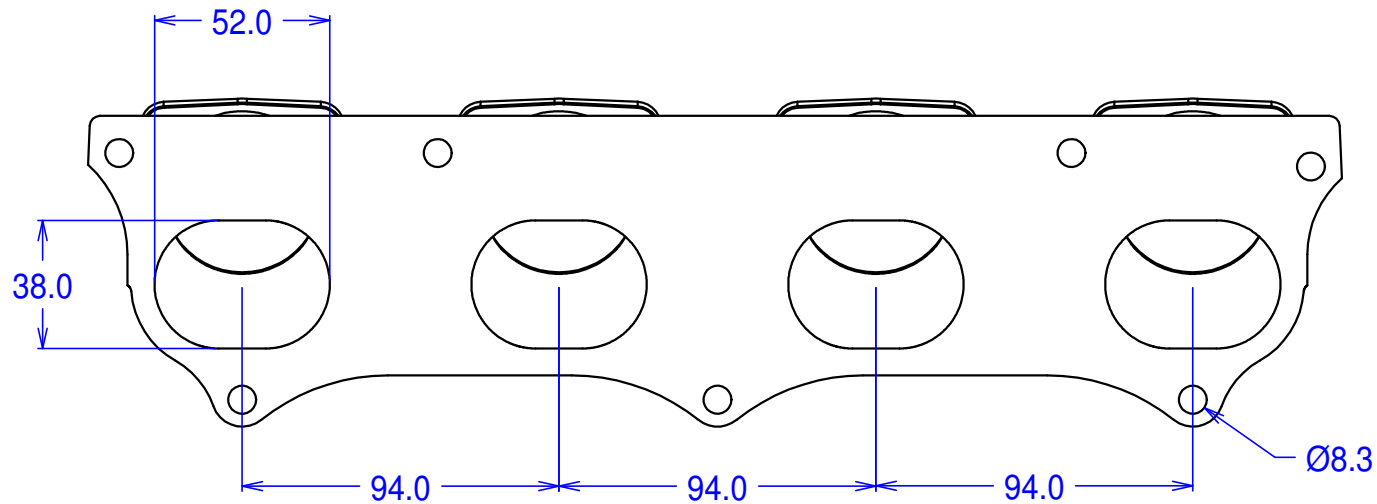




MH07 - Honda K20 manifold for individual throttle bodies

© Jenvey Dynamics Ltd 2000-2010
Issue 2
www.jenvey.co.uk



May be ported out to 52mm at body flange and proportionally at head flange.
Undrilled bosses on top side for injector ports, vacuum tappings etc.
Undrilled bosses on underside for vacuum tappings.