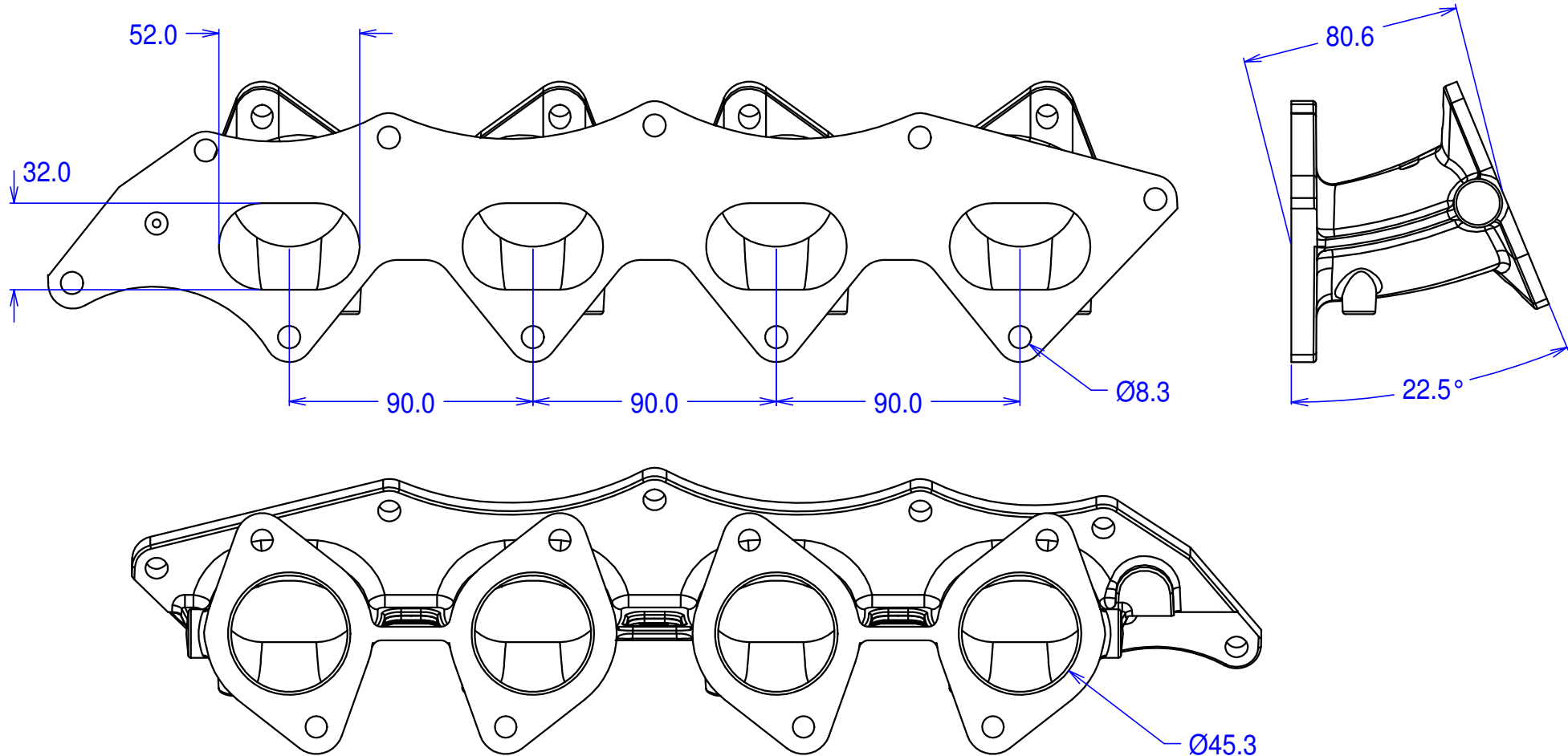




© Jenvey Dynamics Ltd 2000-2010
Issue 2
www.jenvey.co.uk

MH06 - Honda B16 and B18 C5 manifold for twin throttle bodies



May be ported out to 48mm.
Undrilled bosses on underside for vacuum tappings.
Water tapping boss with drill starter point.