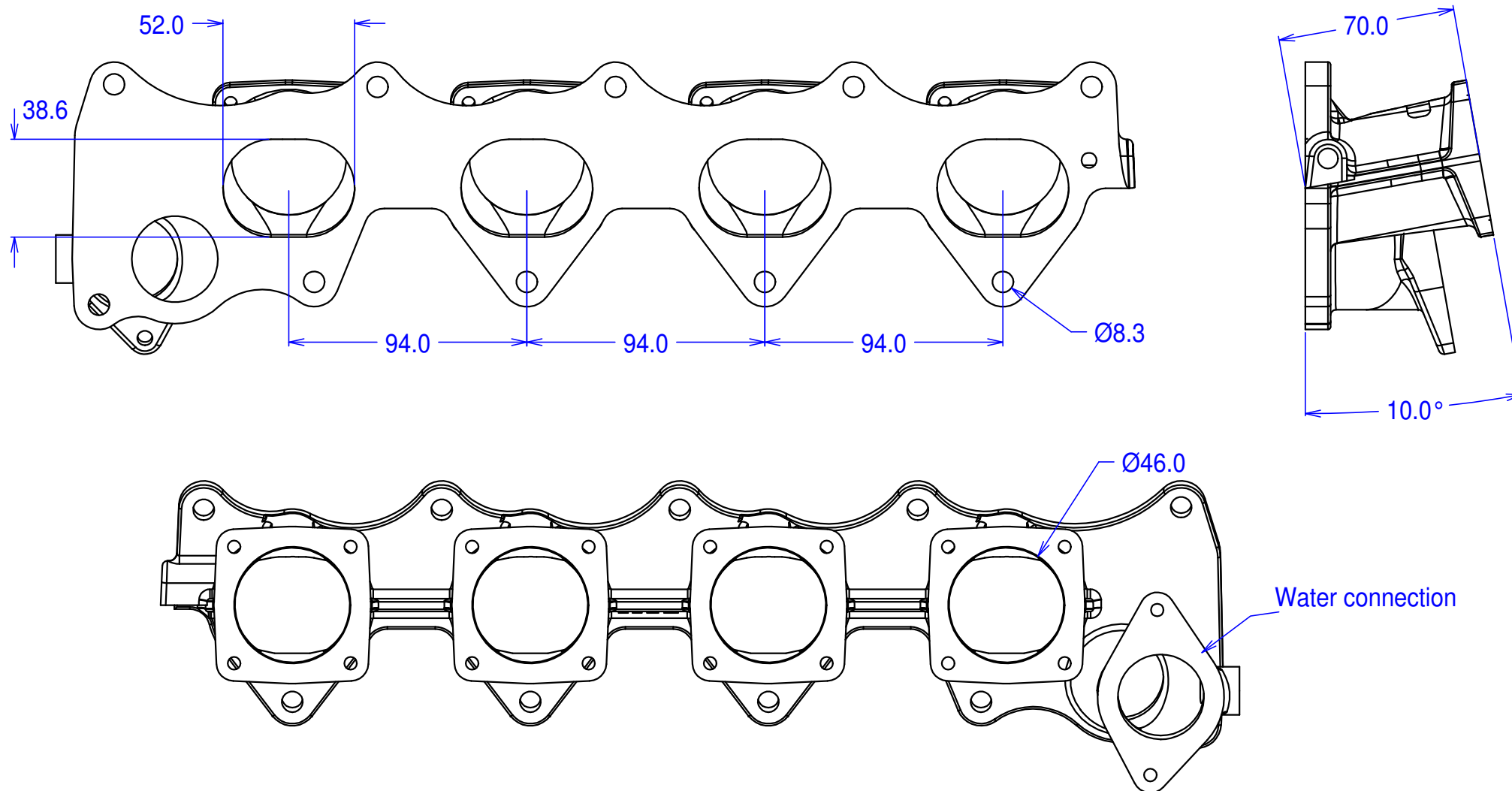


MH05 - Honda S2000 manifold for individual throttle bodies



Flanges for Jenvey SF 51mm tapered throttle bodies. May be ported out to 50mm at body flange and proportionally at head flange.
Undrilled bosses on top side for injector ports, vacuum tappings etc. and undrilled bosses on underside for vacuum tappings.
Water connection mates with standard parts.