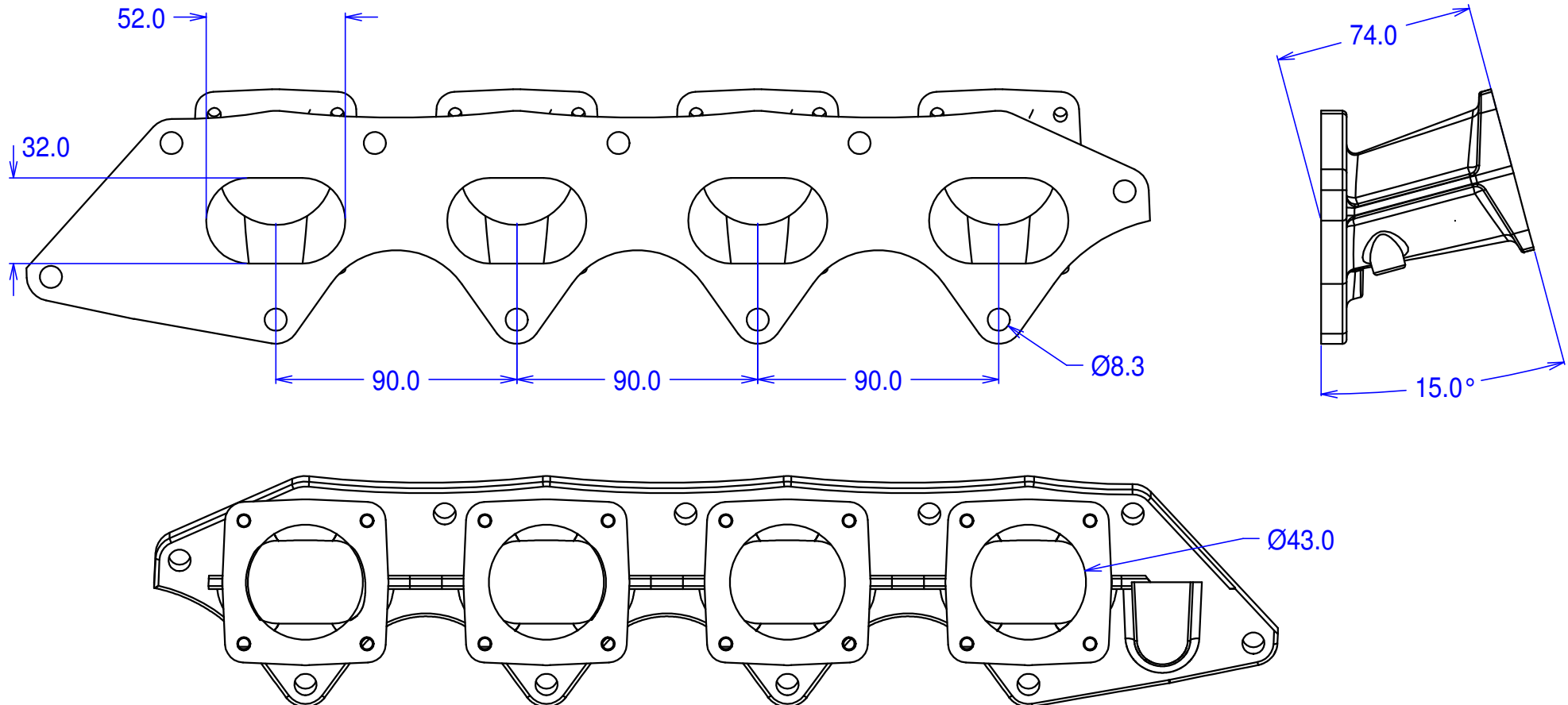


MH04 - Honda B18 C1 and C4 manifold for individual throttle bodies



Flanges for Jenvey SF throttle bodies. May be ported out to 48mm.
Undrilled bosses on underside for vacuum tapings.