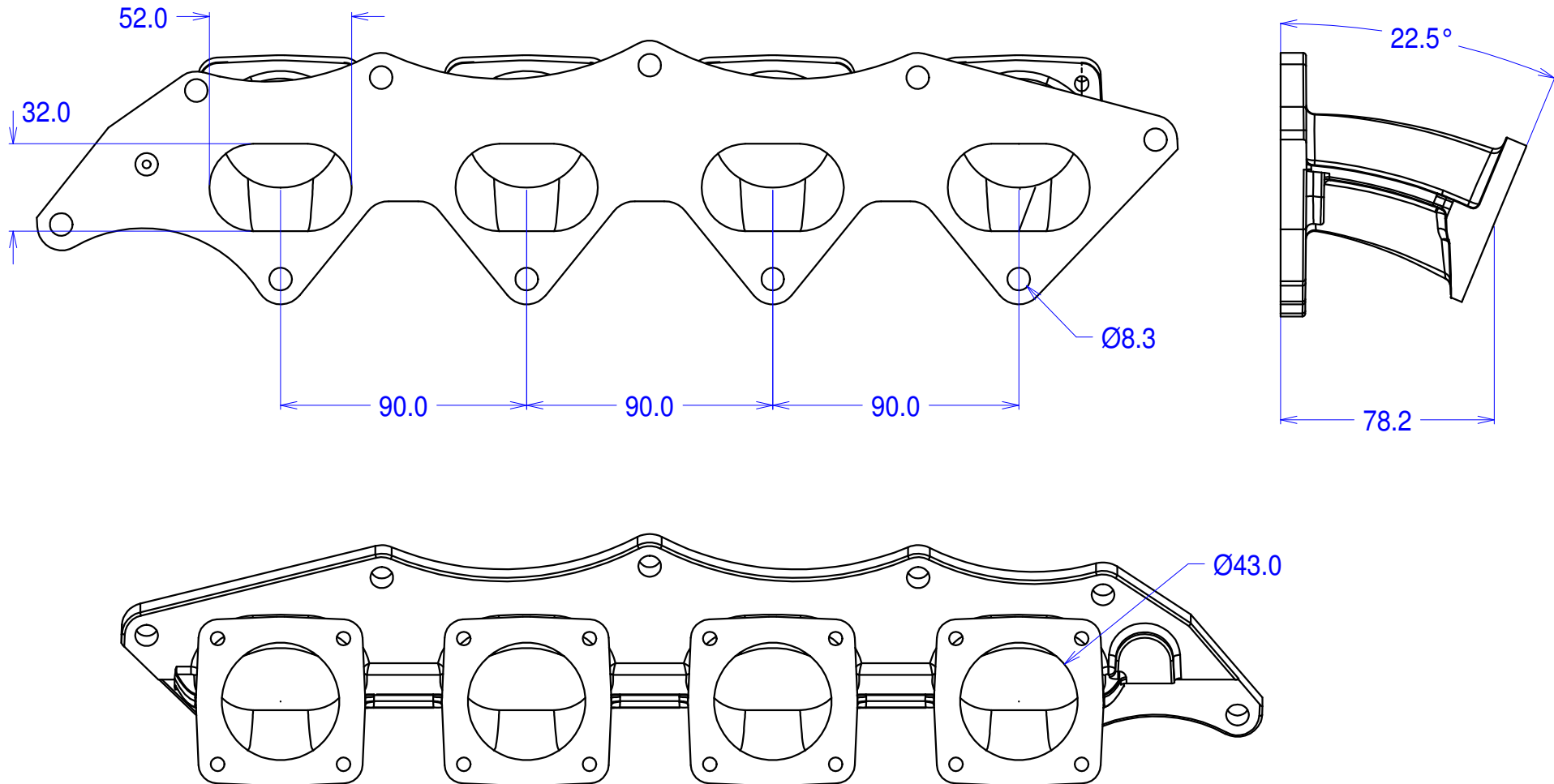


MH03 - Honda B16 and B18 C5 manifold for individual throttle bodies



Flanges for Jenvey SF throttle bodies. May be ported out to 48mm.
Undrilled boss for coolant tapping.