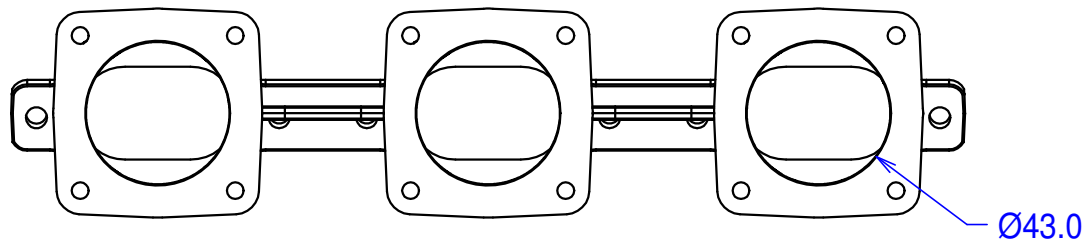
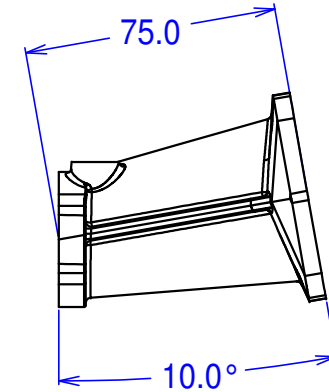
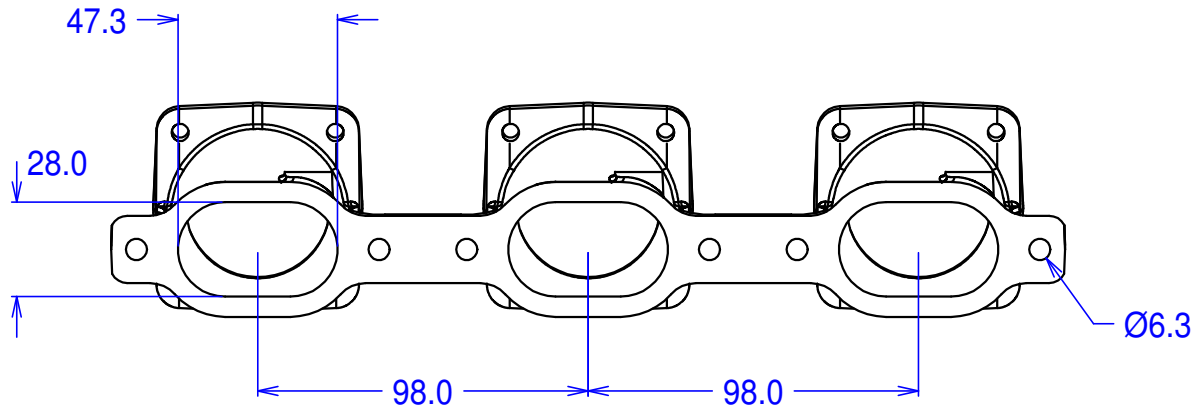




MFR01 - Ferrari 550 manifolds for individual throttle bodies



Flanges for Jenvey SF throttle bodies. May be ported up to 46mm at body flange and proportionally at head flange.
Supplied as matched pair.
Undrilled tapping bosses for brakes, fast idle valve, sensors etc.