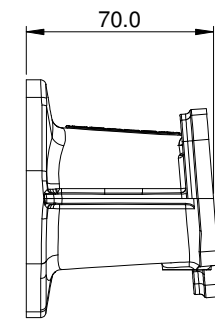
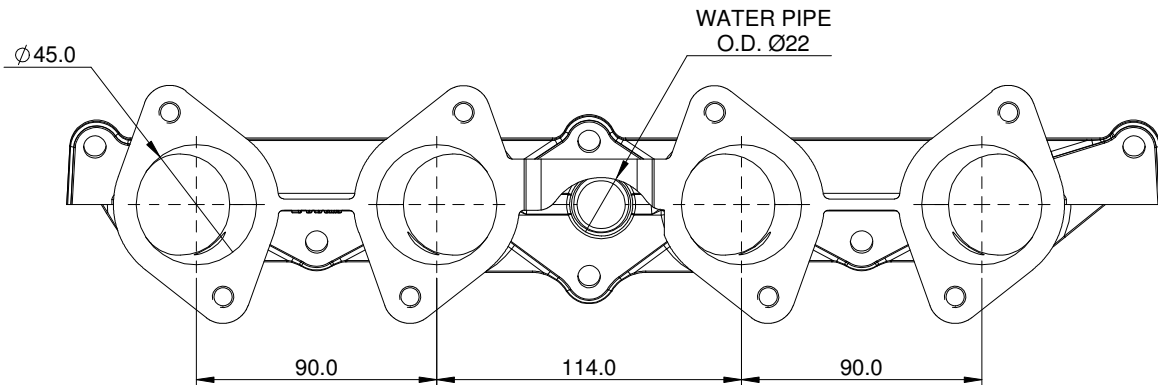
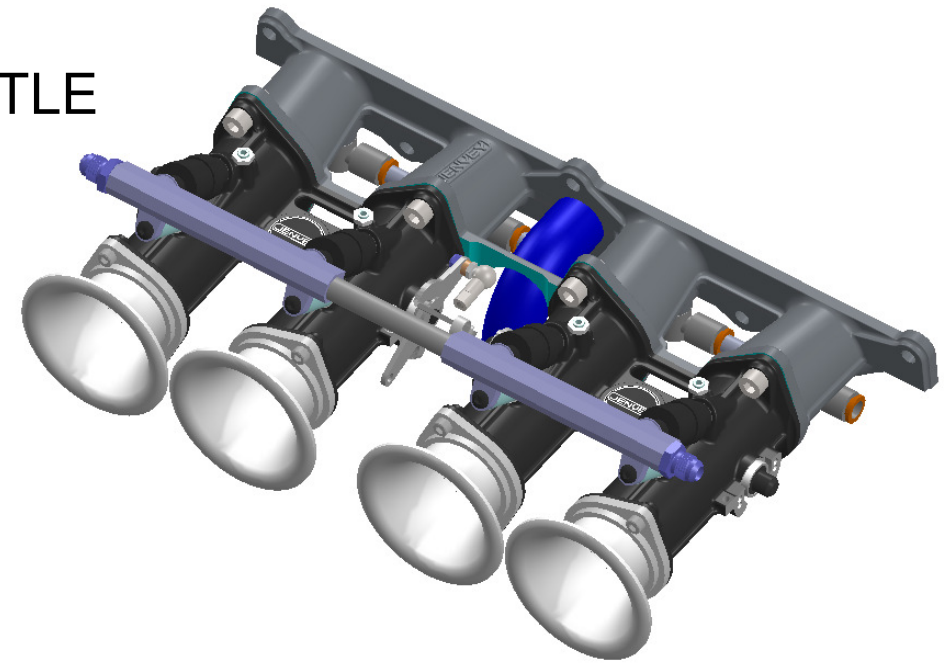
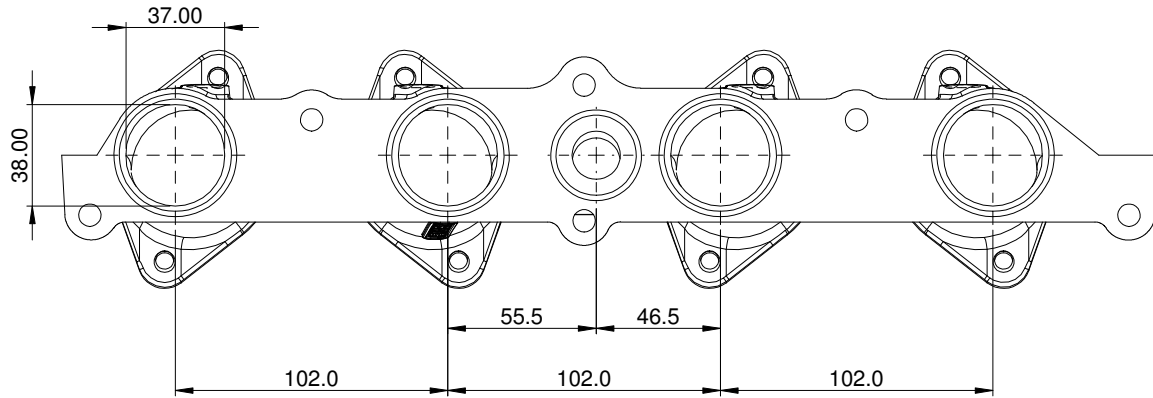


# MF17 - FORD PINTO MANIFOLD FOR TWIN THROTTLE BODIES



Flanges for Jenvey twin (TB, TH, TS) throttle bodies. May be ported up to 50mm.  
Additional material to allow matching to ported cylinder heads.  
Undrilled bosses on underside for idle air / vacuum take off / etc.

Frame: 1 of 1	
Version: 1	
Tel 01746 768810 © JENVEY DYNAMICS LTD. 2015	