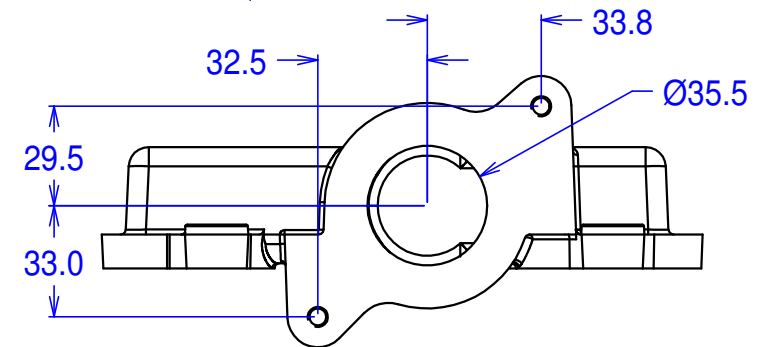
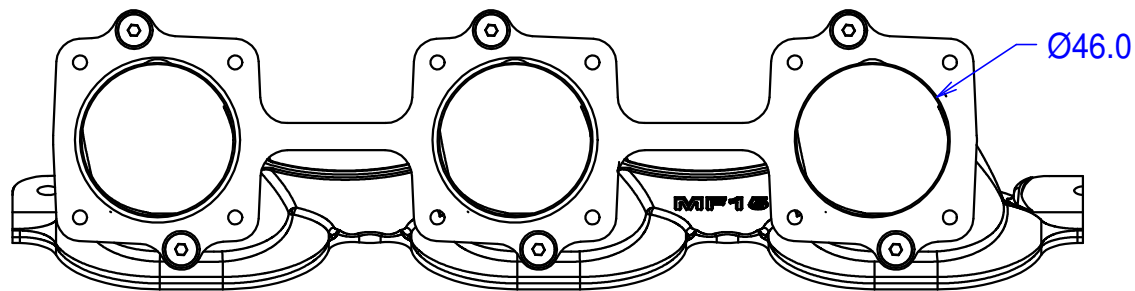
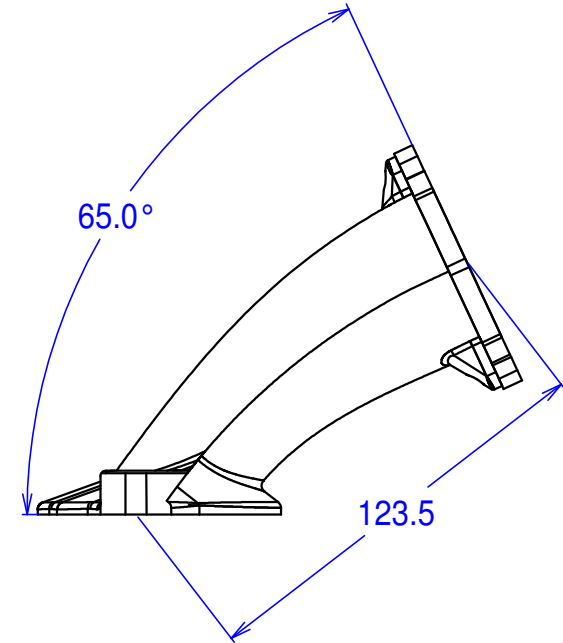
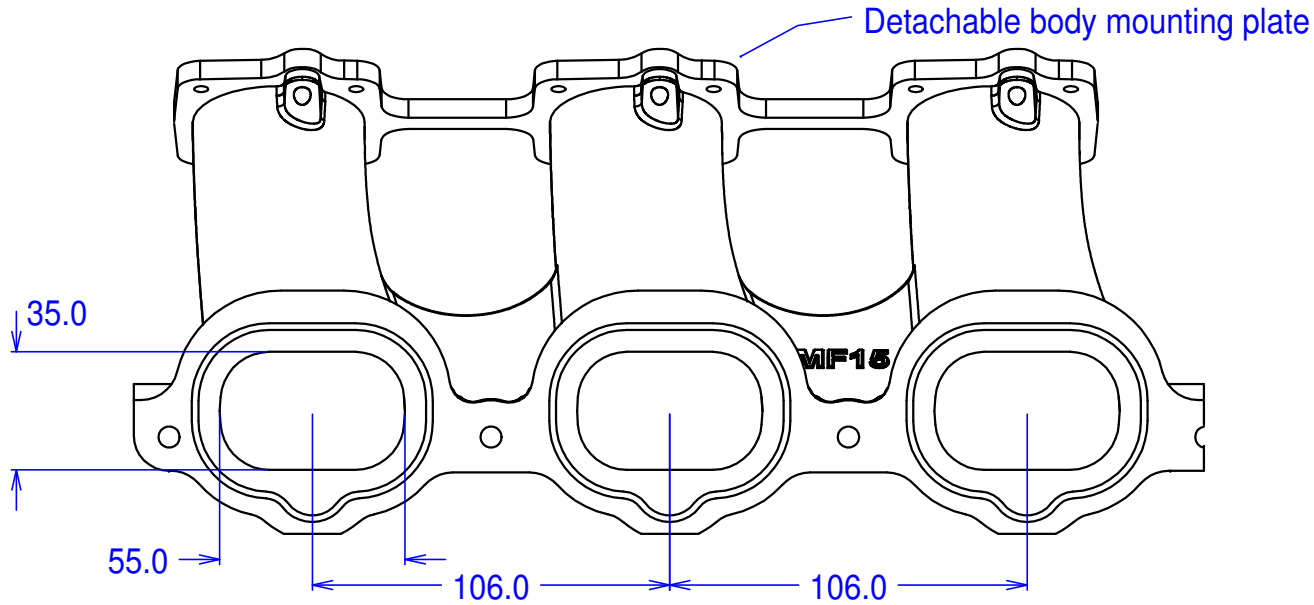


MF15 - Ford Cyclone 3.7L V6 manifolds for individual throttle bodies



Flanges for Jenvey SF throttle bodies.

O ring seal to cylinder head.

Supplied as matched pair which intertwine for cross-over induction.

Comes with coolant manifold and all necessary O rings and assembly bolts.