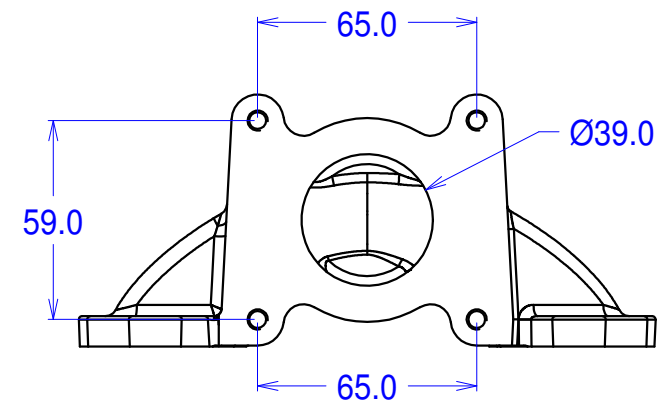
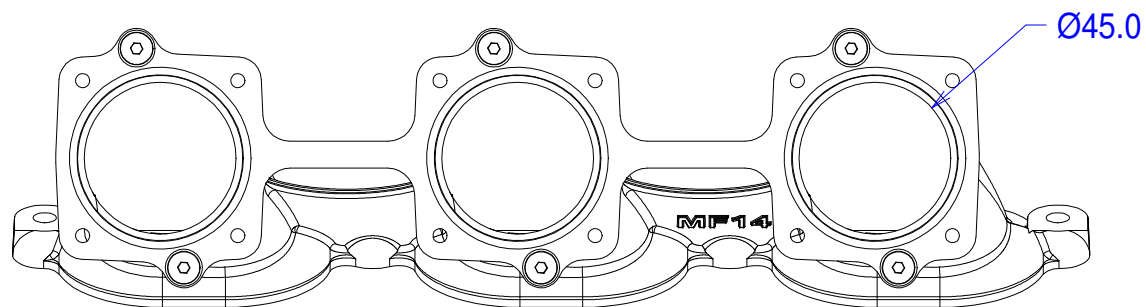
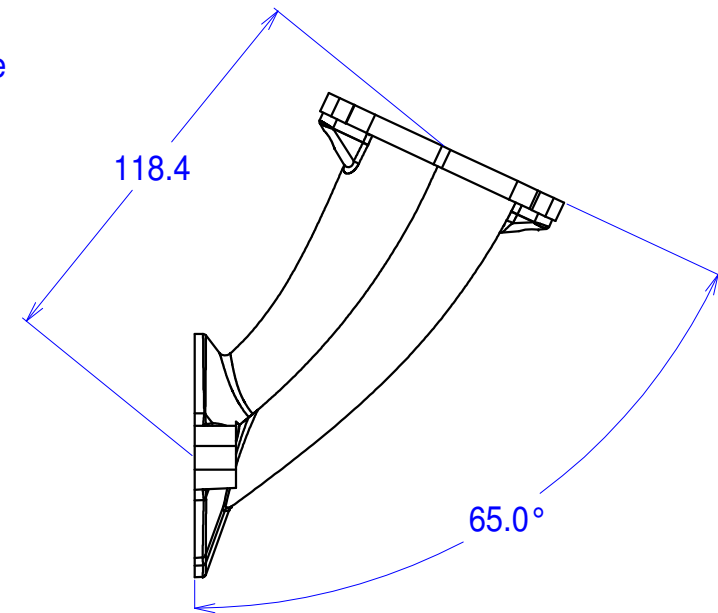
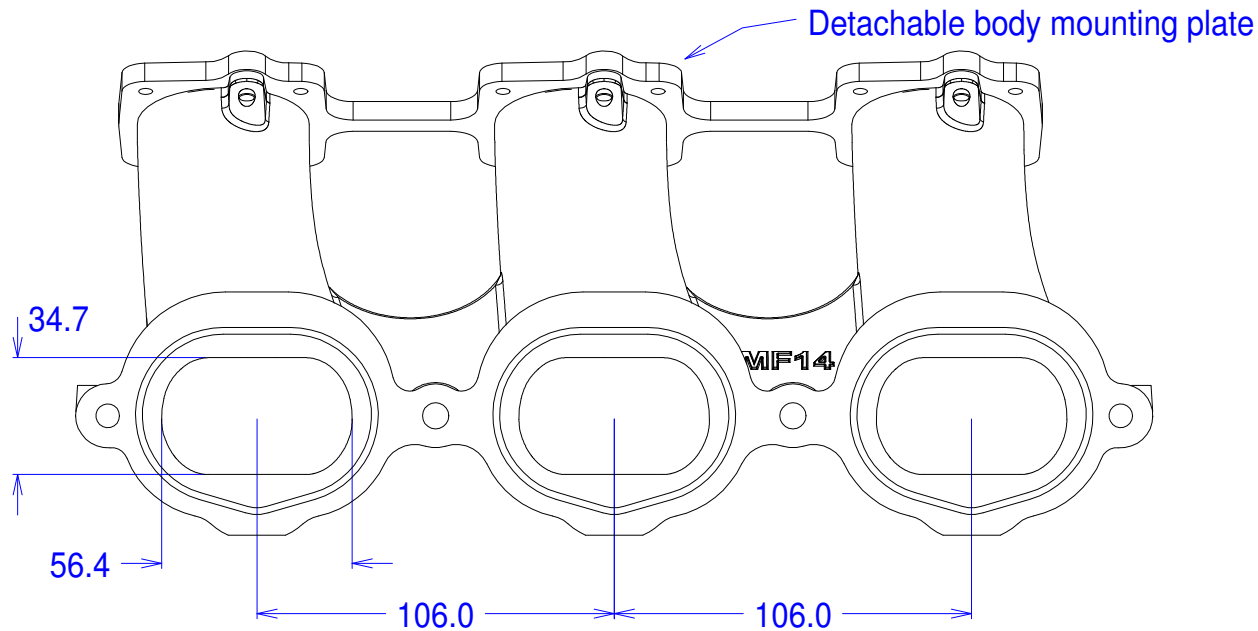




© Jenvey Dynamics Ltd 2000-2010  
Issue 2  
[www.jenvey.co.uk](http://www.jenvey.co.uk)

## MF14 - Ford Cyclone V6 manifolds for individual throttle bodies



Coolant manifold

Flanges for Jenvey SF throttle bodies.  
Supplied as matched pair which intertwine for cross-over induction.  
Comes with coolant manifold and all necessary O rings and assembly bolts.  
Bosses on top side for vacuum tapings.