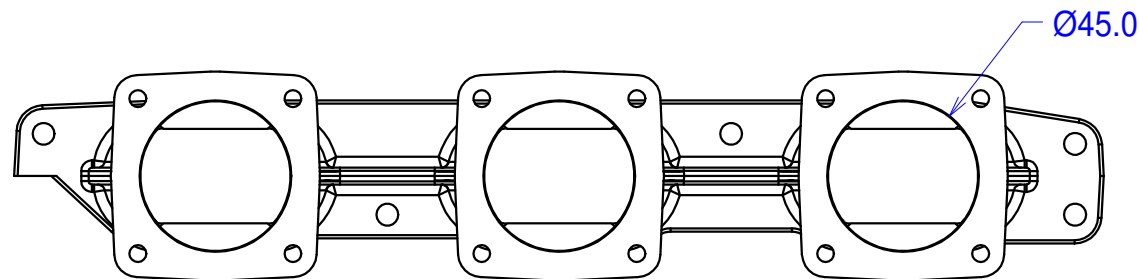
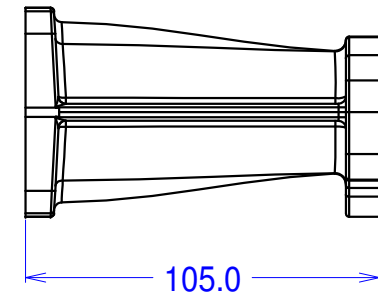
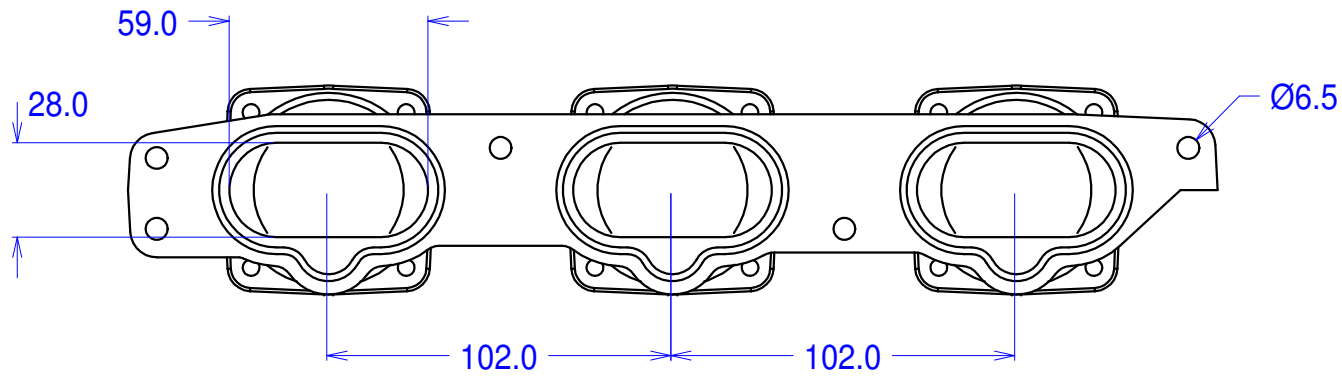




© Jenvey Dynamics Ltd 2000-2010
Issue 2
www.jenvey.co.uk

MF12 - Ford Duratech V6 manifolds for individual throttle bodies



Flanges for Jenvey SF throttle bodies. May be ported up to 50mm at body flange and proportionally at head flange.
Supplied as matched pair.