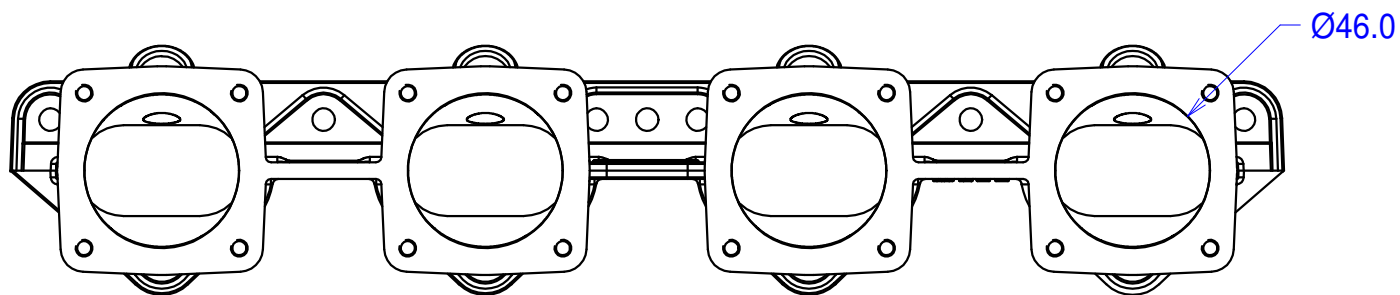
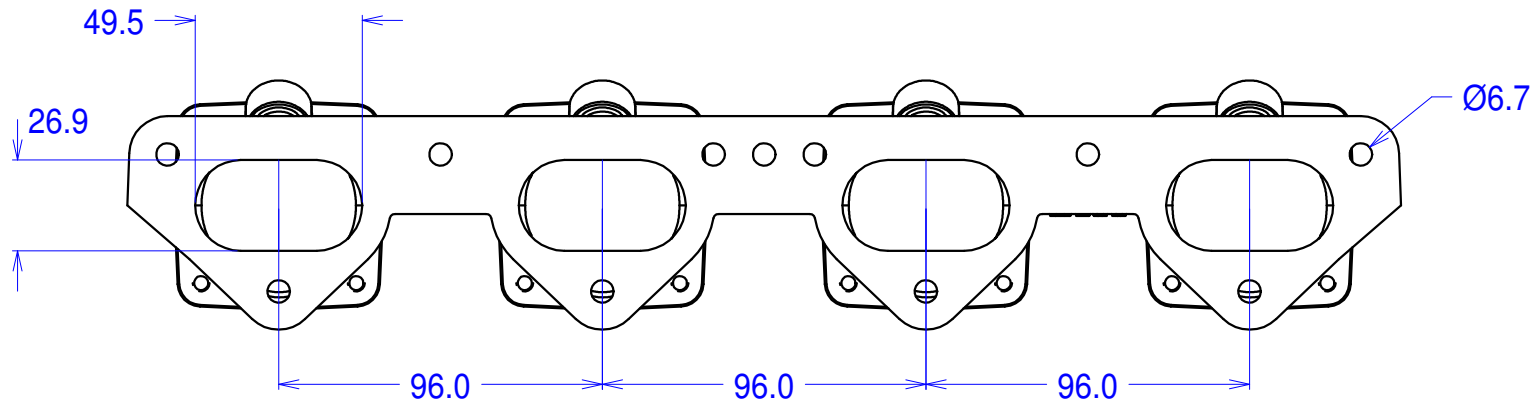


## MF11 - Cosworth Ford BDA manifold for individual throttle bodies



Flanges for Jenvey SF throttle bodies.  
May be ported up to 50mm at body flange and proportionally at head flange.