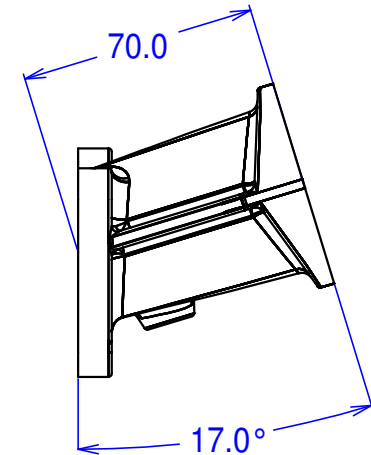
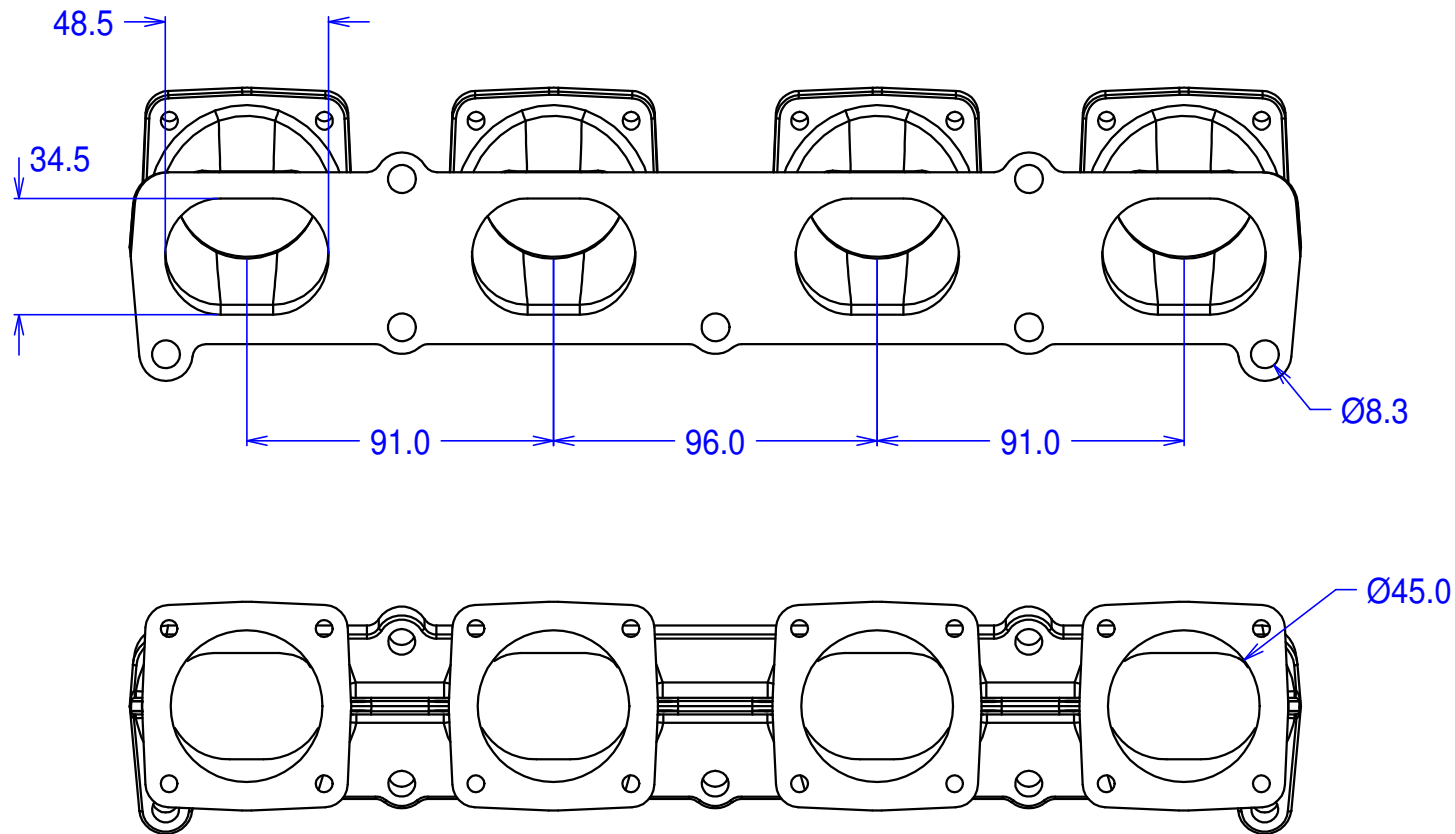




© Jenvey Dynamics Ltd 2000-2010
Issue 2
www.jenvey.co.uk

MF08 - Ford Duratec manifold for individual throttle bodies



Flanges for Jenvey SF throttle bodies.
Homologated by SRCC for use on Sports 2000 Duratec engines.
Undrilled tapping bosses on underside for brakes, fast idle valve, sensors etc.
See MF10 for larger throttle body bores.