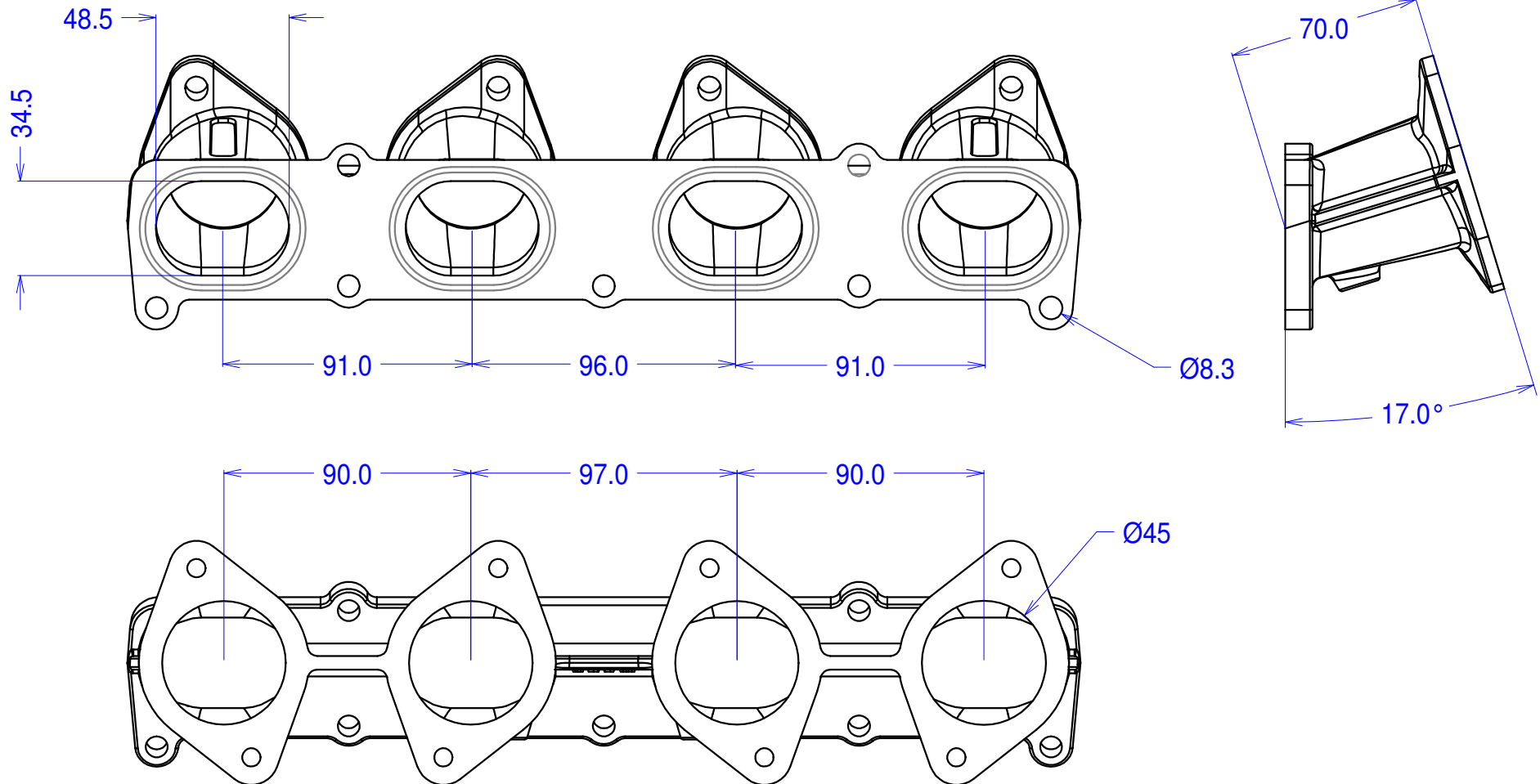


MF07 - Ford Duratec manifold for twin throttle bodies



O ring seal to cylinder head
Some additional material for porting out
Undrilled bosses on underside for idle air / vacuum take off / etc