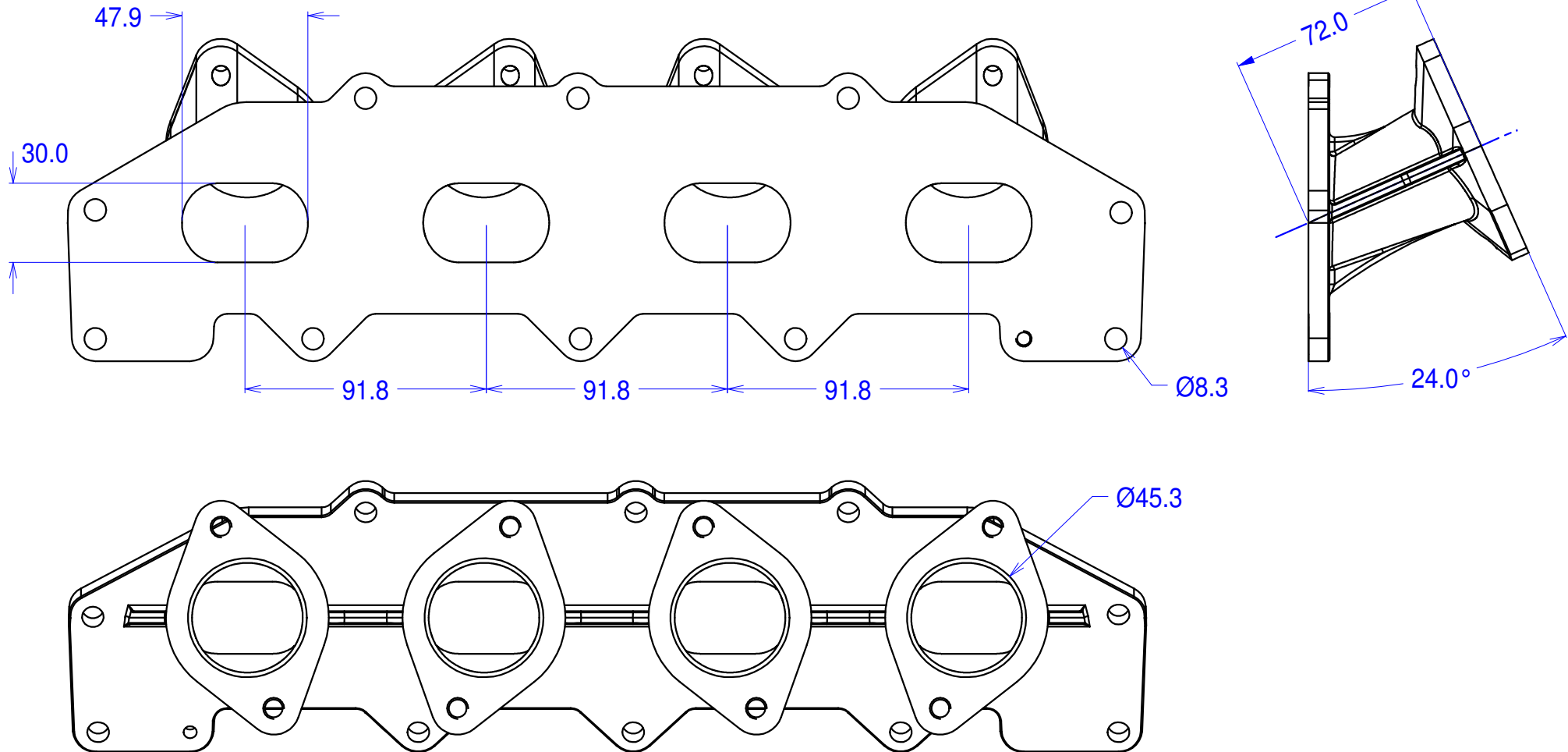


## MF03 - Ford Zetec manifold for twin throttle bodies



Flanges for Jenvey SF throttle bodies.

Vacuum passage for brakes, fast idle valve, sensors etc. machined in to face, with last few mm left to be cut through if required.

May be ported up to 50mm at body flange and proportionally at head flange.