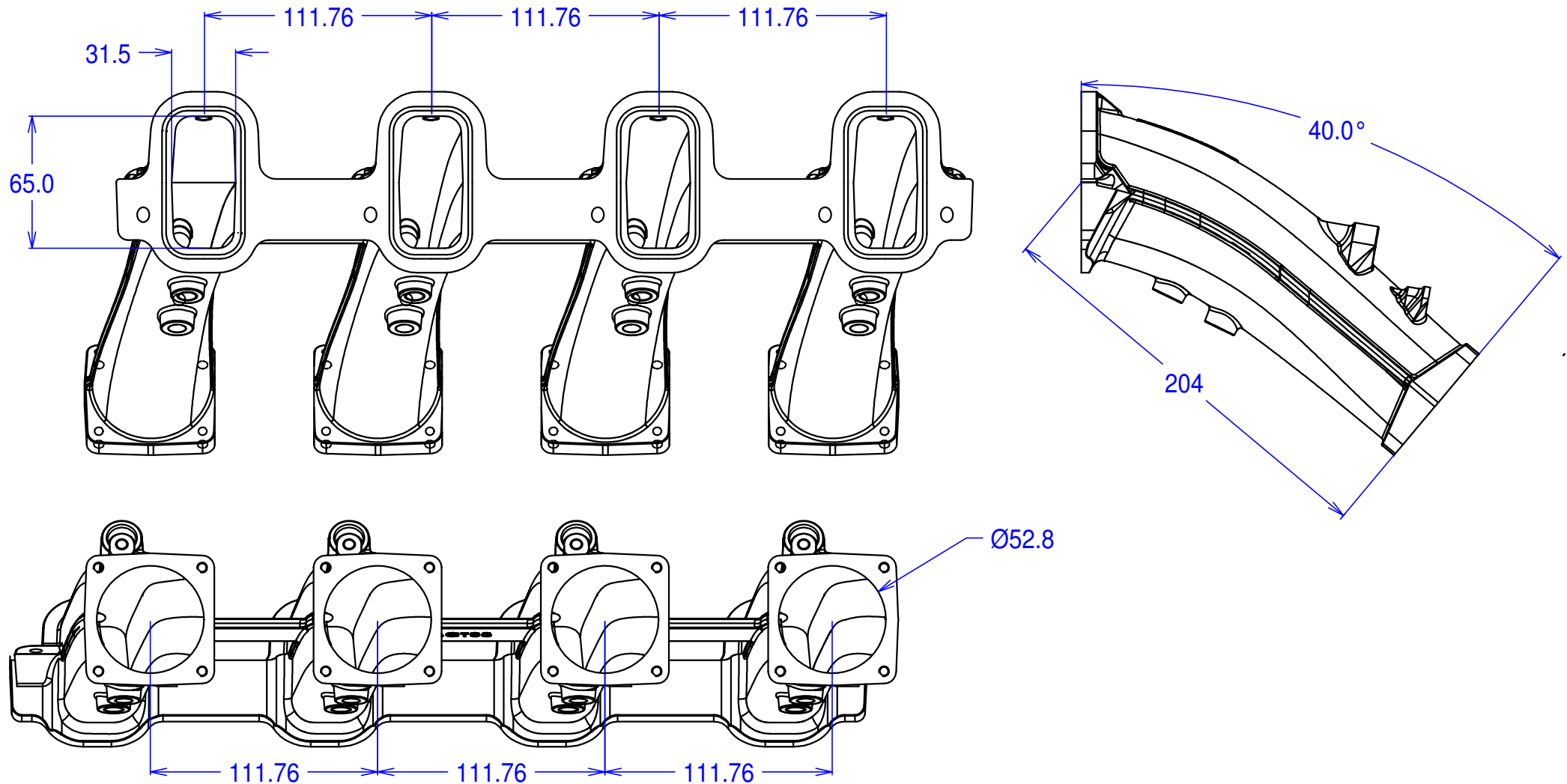


MCT03 - Chevrolet LS 3 manifolds for individual throttle bodies

Flanges for Jenvey SFD throttle bodies. Sufficient metal to allow port machining.

'O' ring seal to cylinder head.

Supplied as a cross-over pair, making for high flow rates and good mixture distribution.

Includes injector pockets and extra undrilled bosses on top-side and under-side for idle air / vacuum take off / etc.

Dimension in millimeters