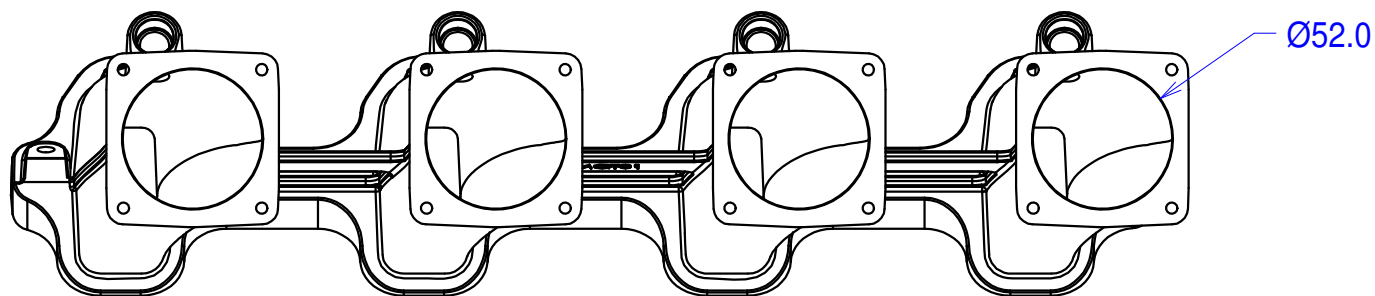
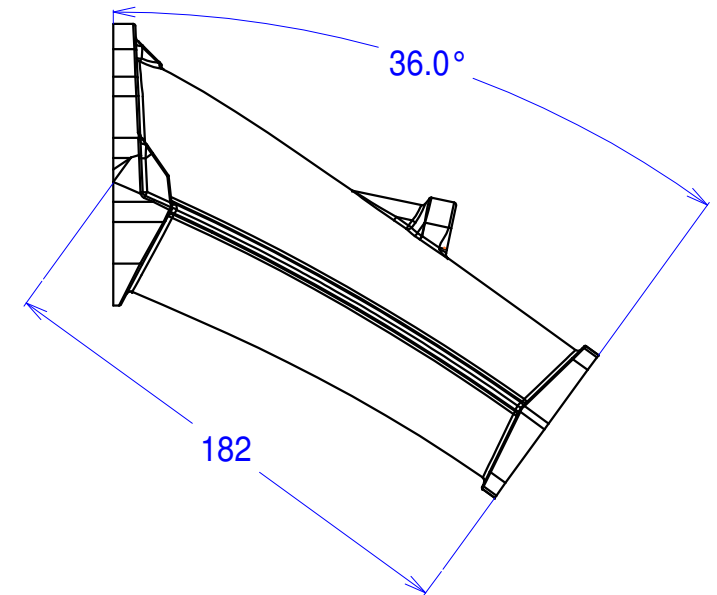
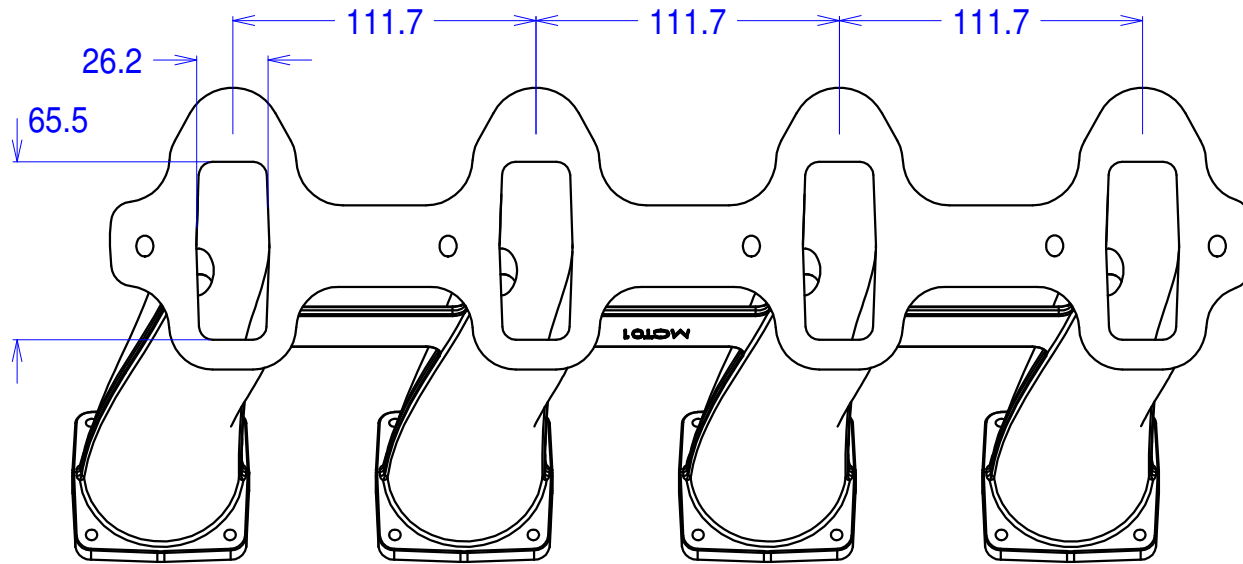


MCT01 - Chevrolet LS 1,2 & 6 manifolds for individual throttle bodies



Flanges for Jenvey SFD throttle bodies. Sufficient metal to allow for port machining, including 'Cathedral' shape. Supplied as a pair which intertwine for cross-breathing, making for high flow rates and good mixture distribution. Includes injector pockets and extra undrilled bosses on top-side for idle air / vacuum take off / etc.