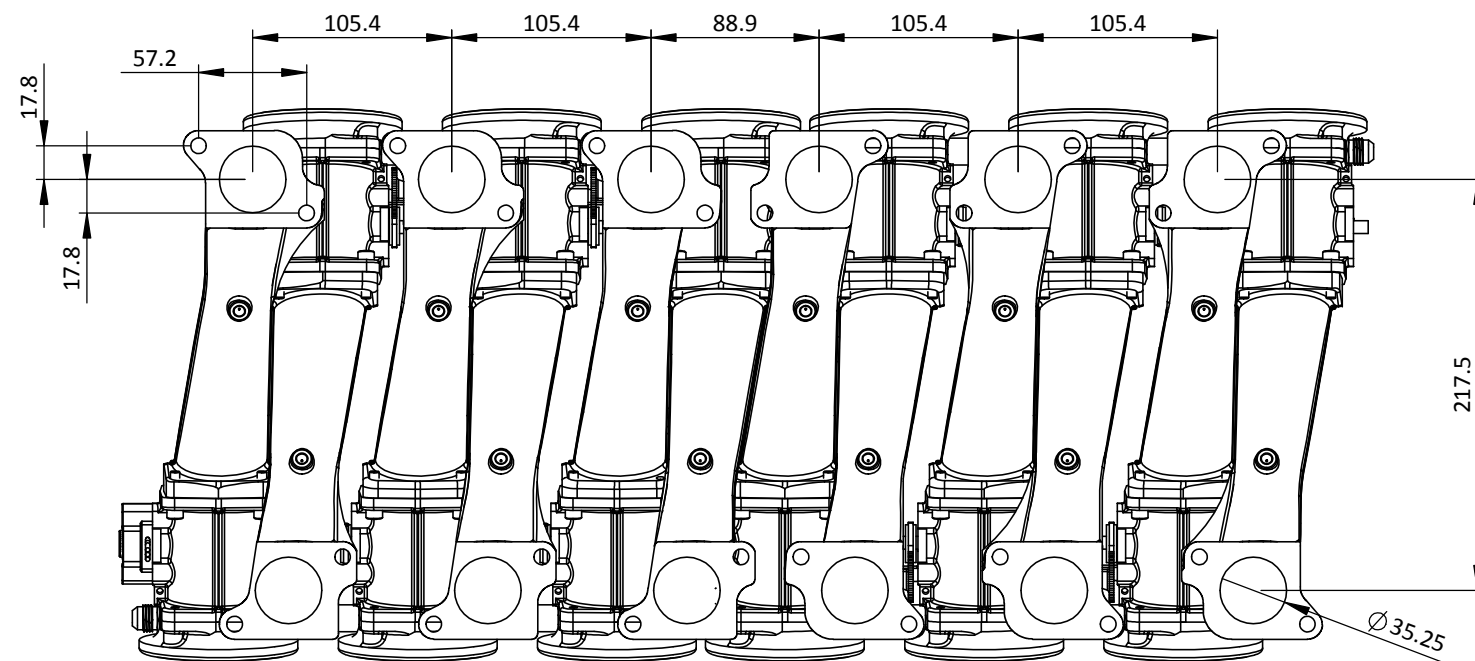
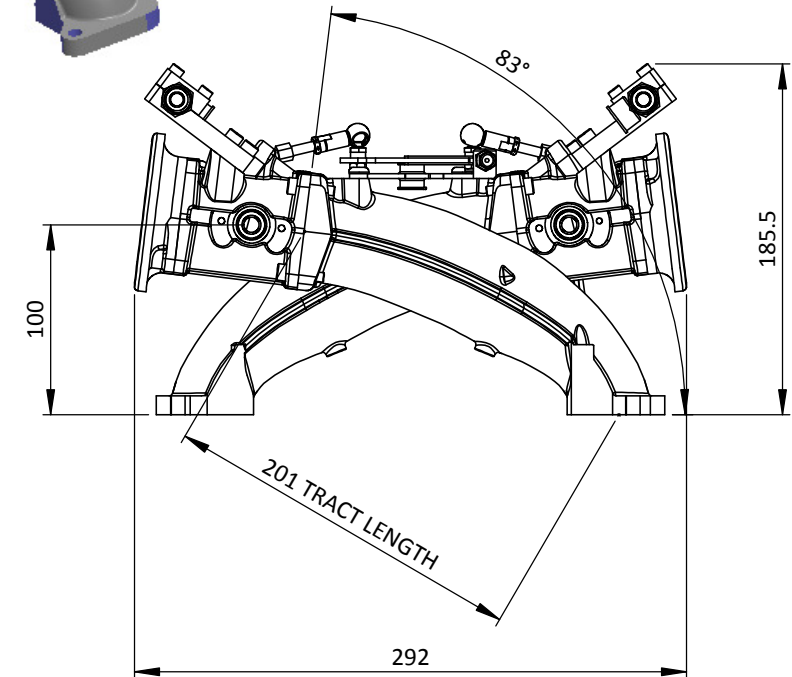
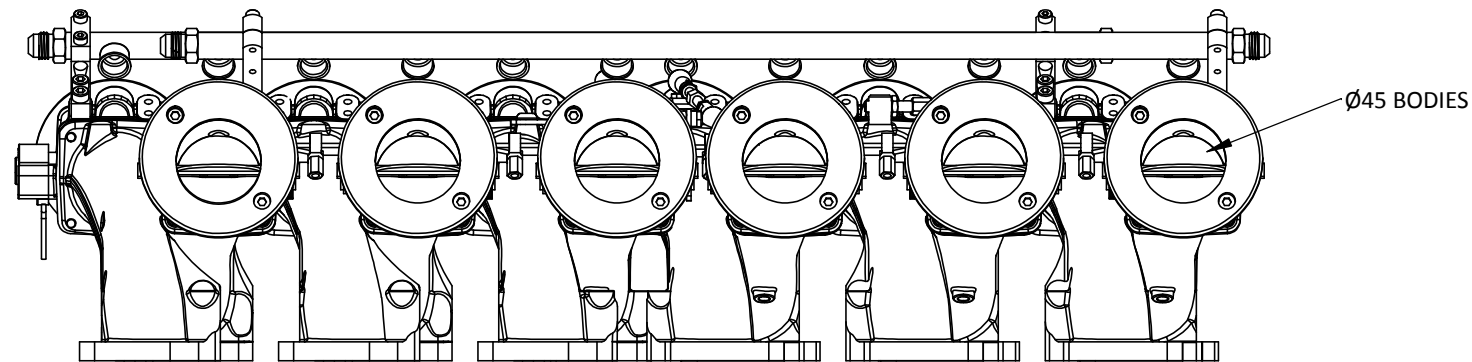
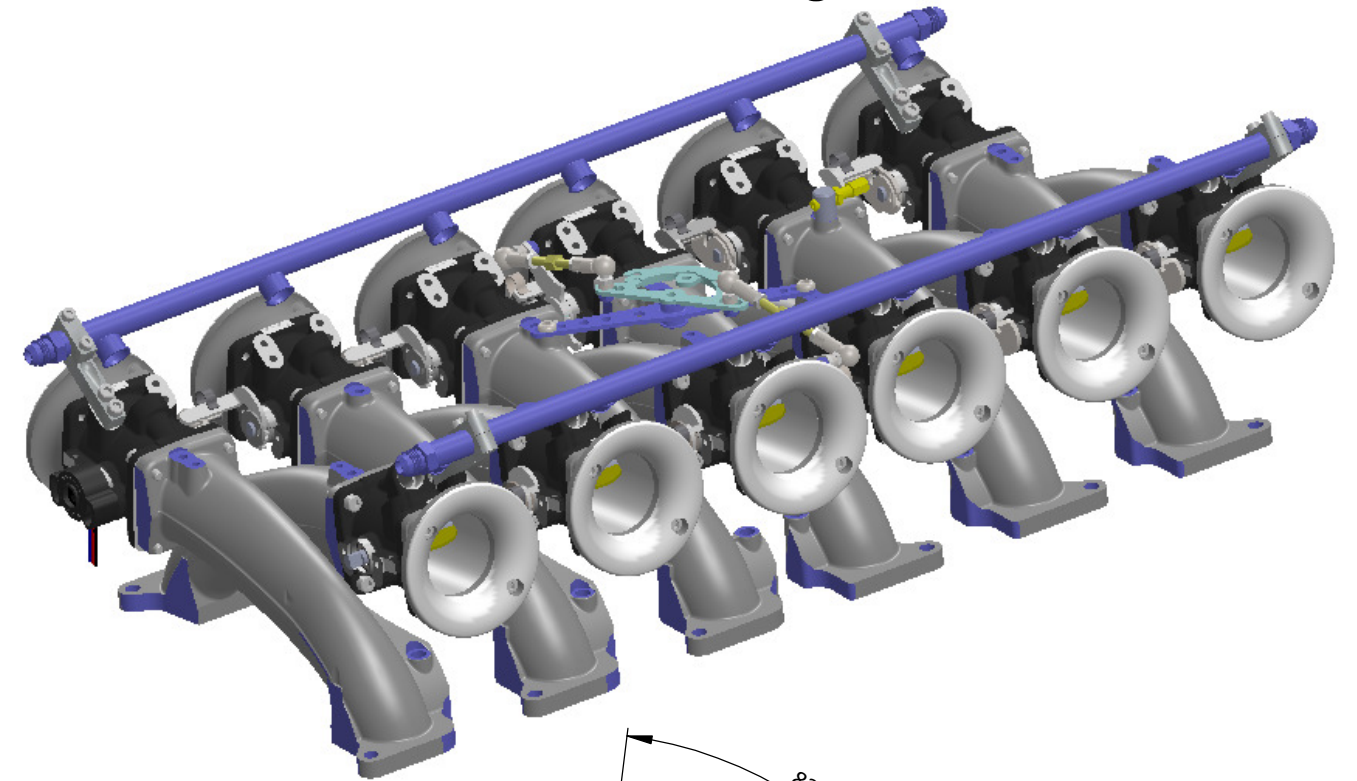
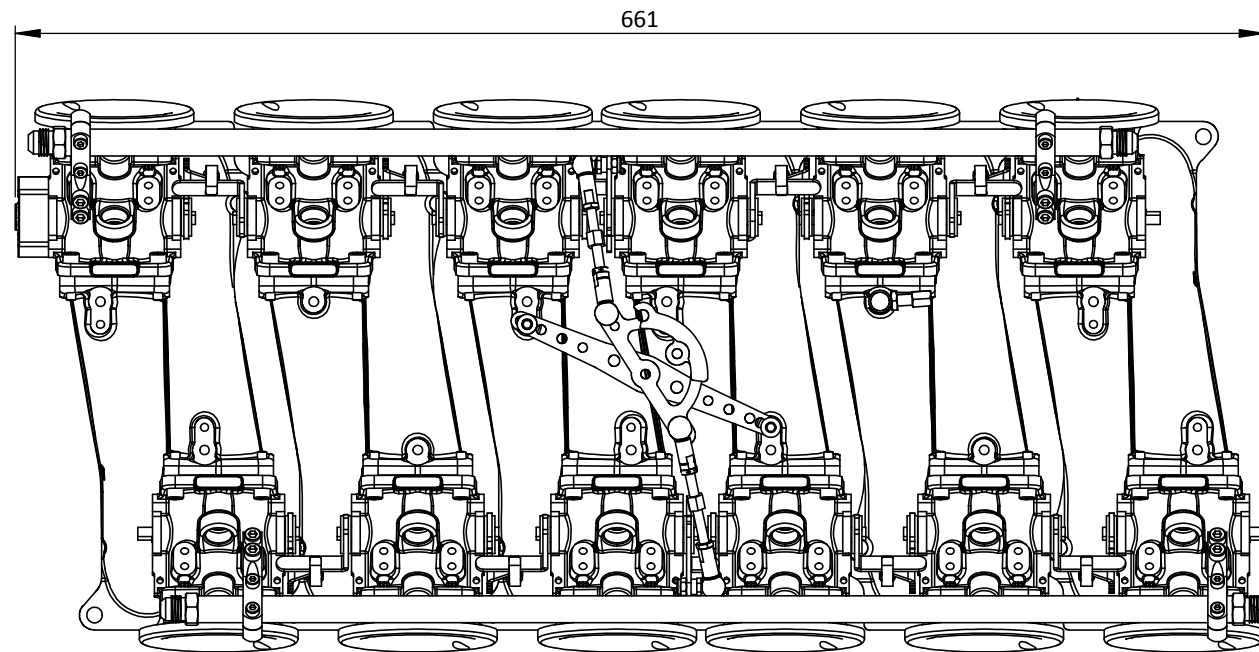


CKJR04 - JAG V12



Engineered to win



**Flanges for Jenvey single (SF, SFS) throttle bodies.
 May be ported up to 48mm with sufficient material
 to allow matching to ported cylinder heads.
 Undrilled bosses on underside for idle air / vacuum take off / etc.**

Frame: 1 of 1

Version: 2

Tel 01746 768810

© JENVEY DYNAMICS LTD. 2015

Web WWW.JENVEY.CO.UK

