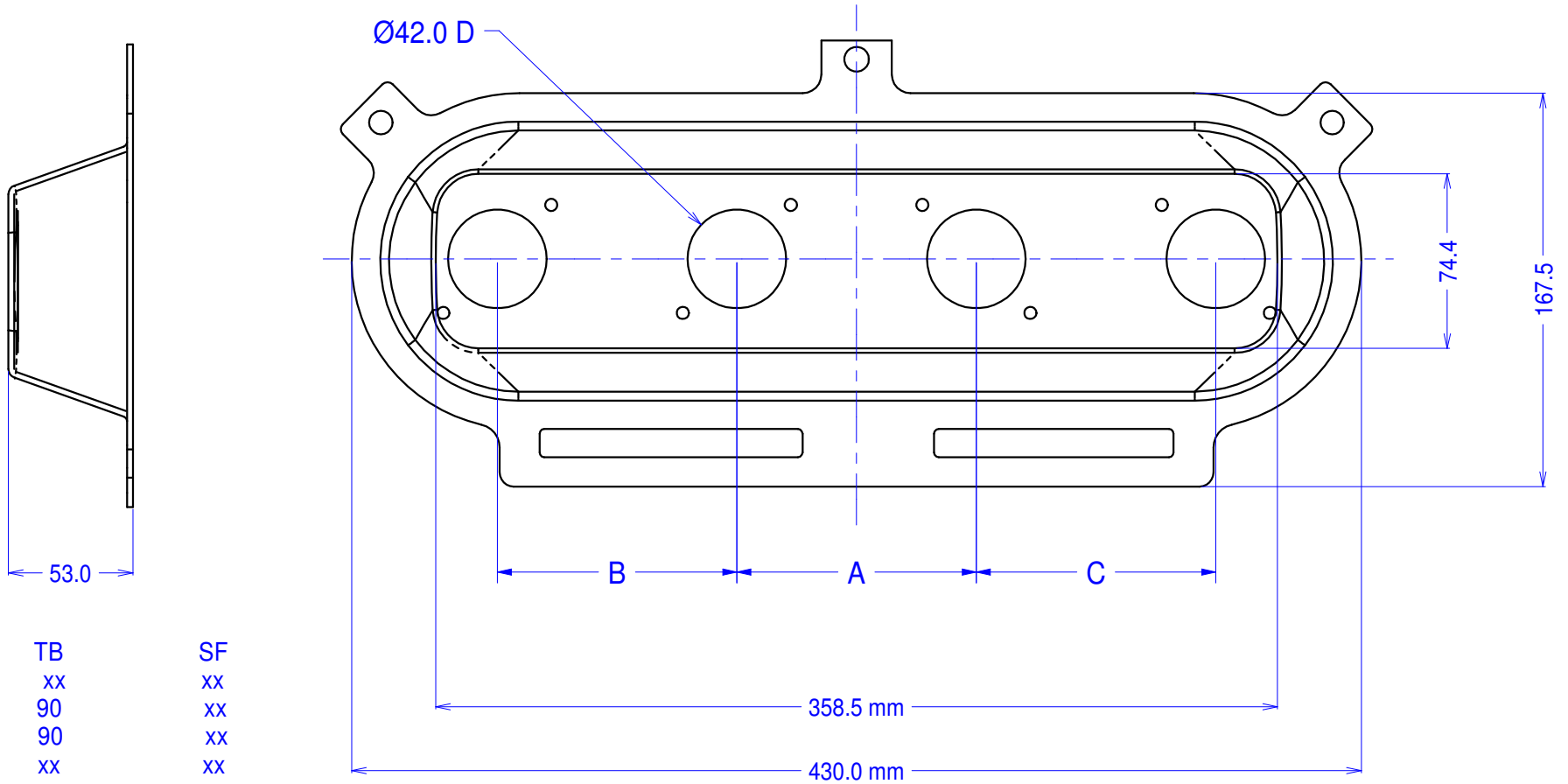




ABB2/50 - dished backplate

Plan view is looking inside the air box



	TB	SF
A	xx	xx
B	90	xx
C	90	xx
D	xx	xx

Vert offset = xx
 Horiz offset = xx